

**INCHES**

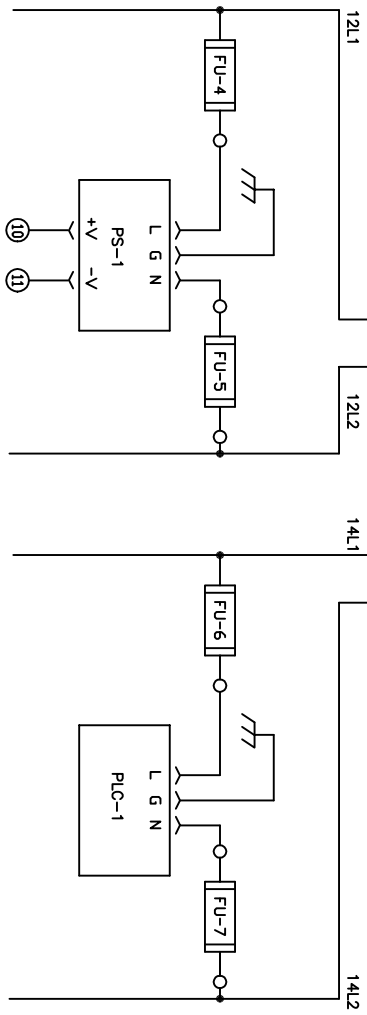
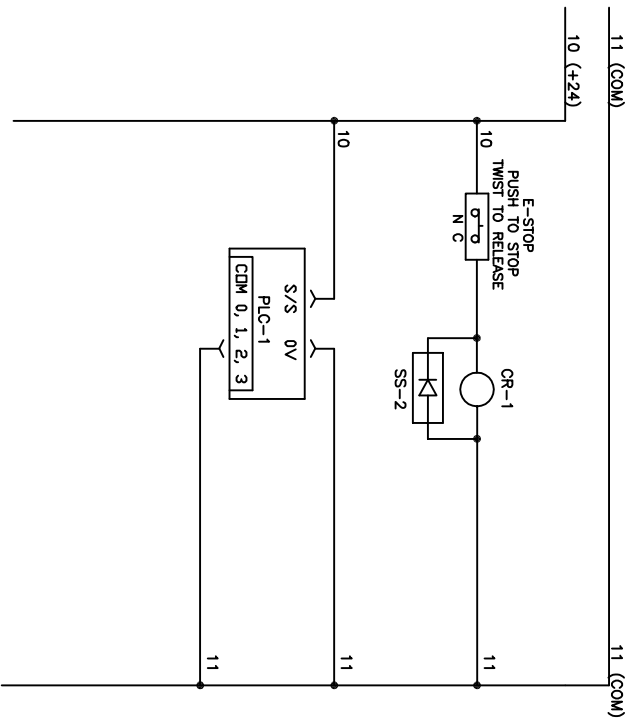
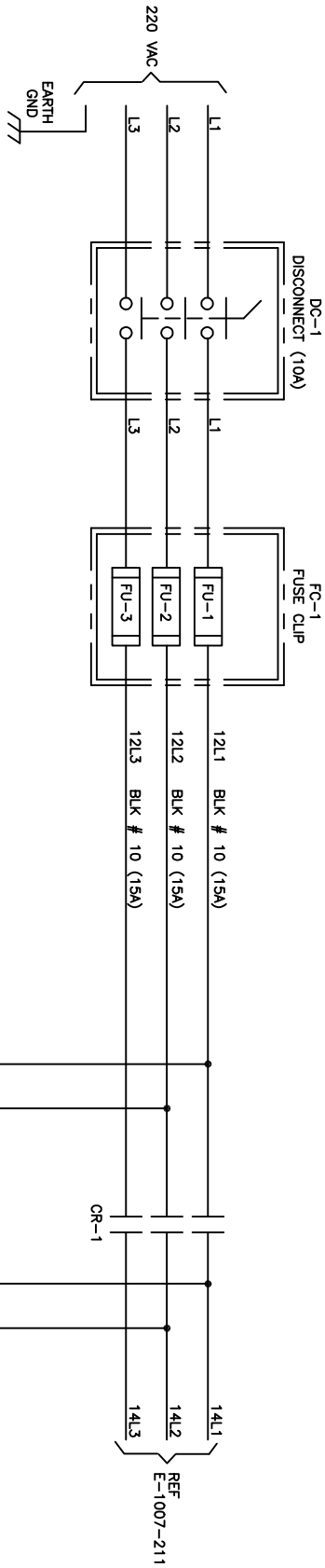
UNLESS OTHERWISE SPECIFIED,  
ALL DIMENSIONS ARE IN INCHES.

ABM INTERNATIONAL  
 2500 W. 10TH AVENUE  
 DENVER, CO 80202  
 TEL: 303-733-1100  
 FAX: 303-733-1101  
 WWW: WWW.ABM-INTL.COM

ABM INTERNATIONAL, Inc.  
 2500 W. 10TH AVENUE  
 DENVER, CO 80202  
 TEL: 303-733-1100  
 FAX: 303-733-1101  
 WWW: WWW.ABM-INTL.COM

DATE	1007	ISSUE	1-3
REV	1	DATE	11-16-01
DRAWN BY SCOTT WILL			
CHECKED BY			
APPROVED BY			
TITLE STAND ALONE ADJUSTABLE FILLER AND TABLE			
SHEET NO. 1		TOTAL SHEETS 1	
PART NO. E-1007-201			

NOTES:  
 1) CONNECT H1 TO H3 AND H2 TO H4 FOR 230 VAC LINE.



INCHES  
 UNLESS OTHERWISE SPECIFIED

ABM INTERNATIONAL  
 5414 INTERNATIONAL  
 BLK DRIVE WILSON, IL 60097

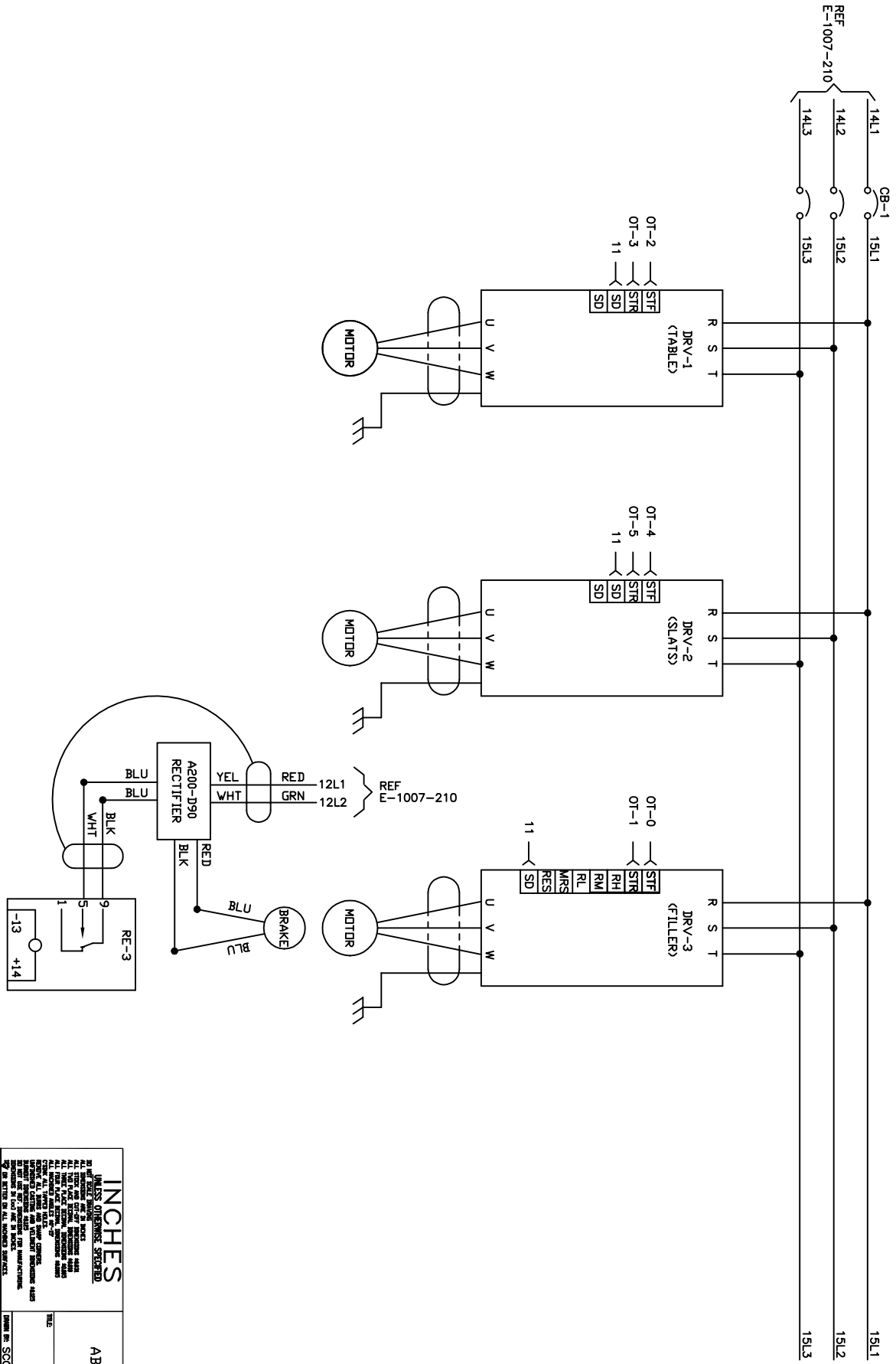
STAND ALONE ADJUSTABLE  
 FILTER AND TABLE

DATE: 11-18-01

REV	NO	DATE	BY	CHKD
1	1	11-18-01	SCOTT WILL	SCOTT WILL

E-1007-210

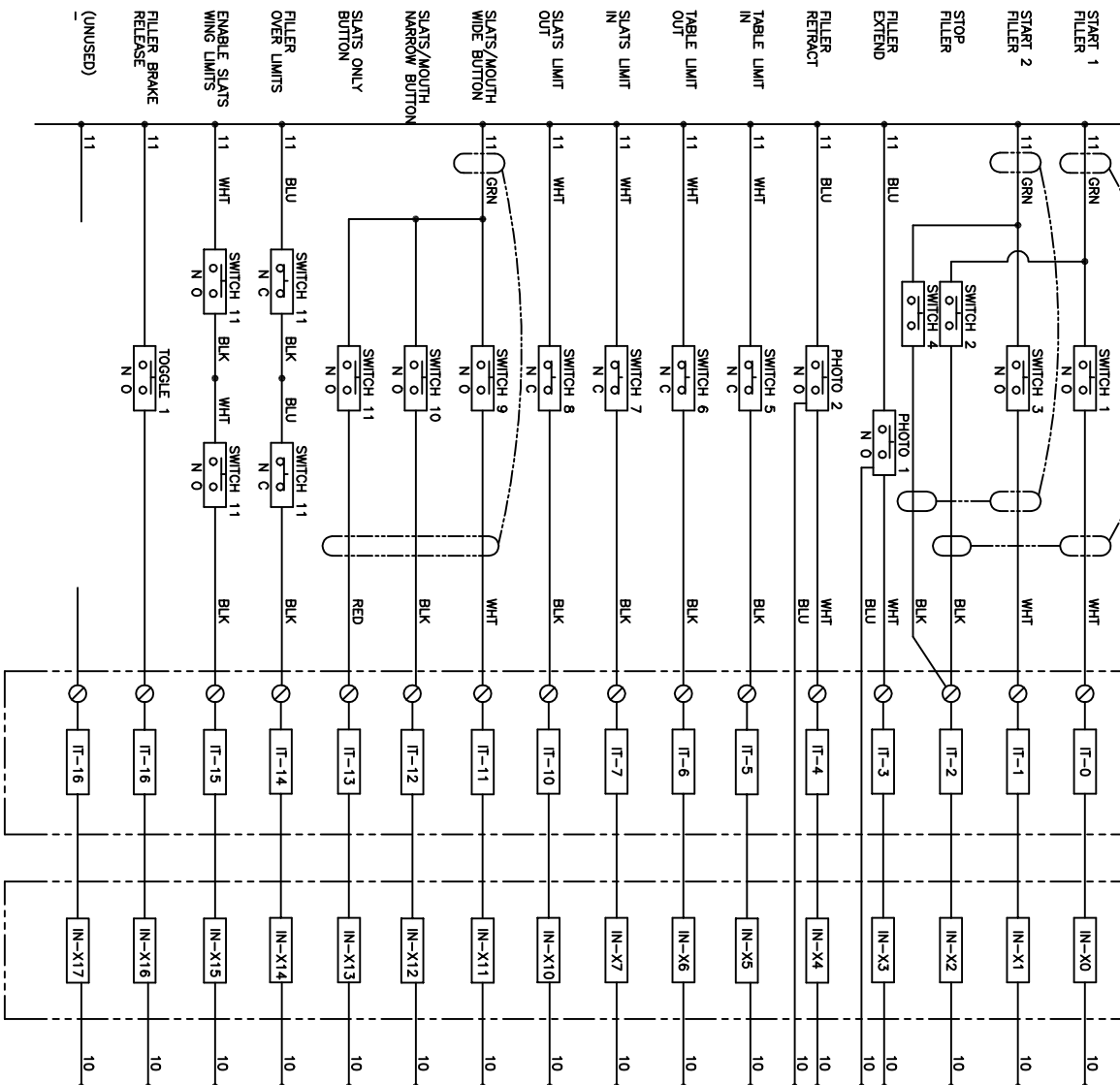




<b>INCHES</b>		<b>UNLESS OTHERWISE SPECIFIED</b>	
<p>ABM INTERNATIONAL          2414 INTERNATIONAL BLVD.          2ND FLOOR          BAY GROVE, ILLINOIS 60007</p>			
TITLE		DATE	
STAND ALONE ADJUSTABLE FILLER AND TABLE		11-16-01	
DRAWN BY: SCOTT WILL		CHECKED BY: NONE	
SHEET NO. 1		TOTAL SHEETS 1	
DRAWING NO. E-1007-211		REVISION NO. -	

24V COM  
FROM: SHT 5 11

+24V  
10 FROM: SHT 5



- NOTES:
- 1.) HIGH OFF-STATE VOLTAGES MUST BE SHUNTED WITH A 1K OHM 1 WATT RESISTOR.
  - 2.) DIODE IS REQUIRED FOR INDUCTIVE LOADS.

**INCHES**

UNLESS OTHERWISE SPECIFIED

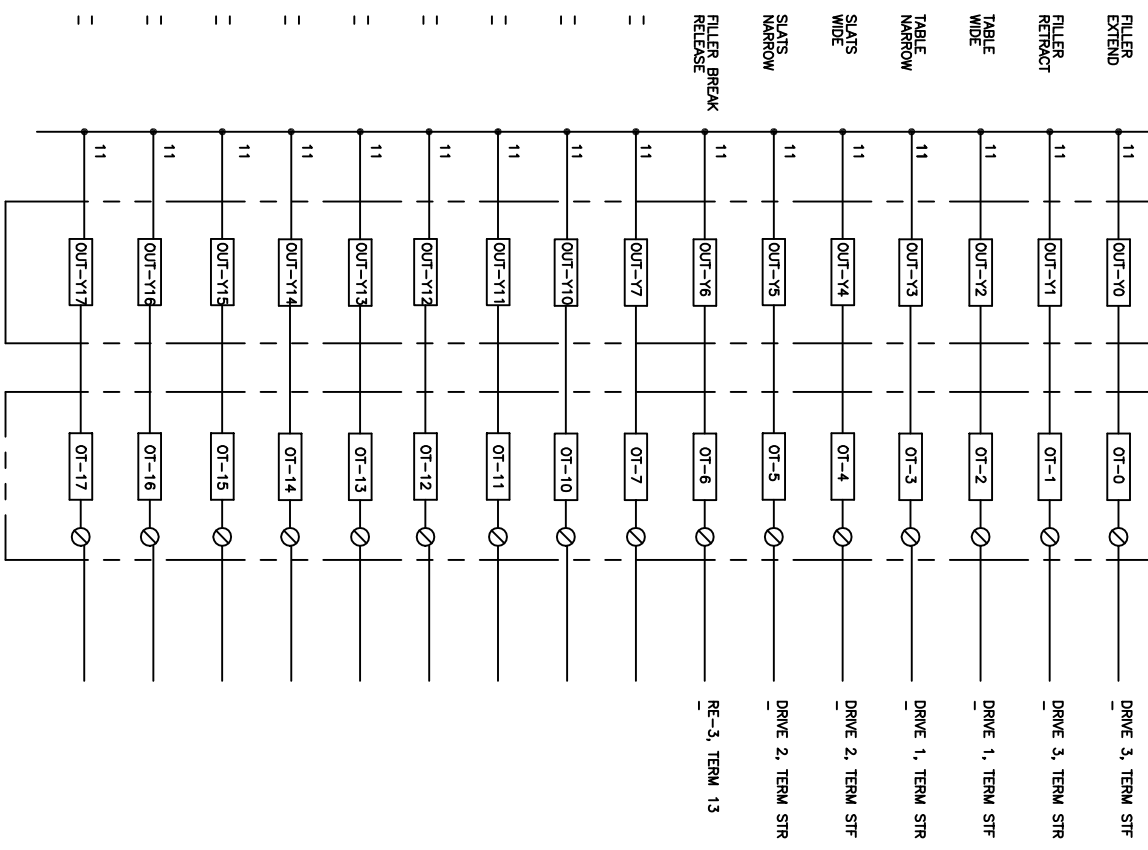
ABM INTERNATIONAL  
 5416 INTERNATIONAL BLVD.  
 BAY BRIDGE WALKER, IL 60097

STAND ALONE ADJUSTABLE  
 FILLER AND TABLE

DATE	11-18-01
REVISED BY	SCOTT WILL
DESIGNED BY	1007
DRAWN BY	1
CHECKED BY	1
ISSUED NONE	
DATE	E-1007-212

24V COM

FROM: SHT 5 11



- NOTES:
- 1.) HIGH OFF-STATE VOLTAGES MUST BE SHUNTED WITH A 1K OHM 1 WATT RESISTOR.
  - 2.) DIODE IS REQUIRED FOR INDUCTIVE LOADS.

**INCHES**

UNLESS OTHERWISE SPECIFIED, ALL DIMENSIONS ARE IN INCHES. DIMENSIONS IN PARENTHESES ARE IN MILLIMETERS. DIMENSIONS IN PARENTHESES ARE TO BE USED WHEN THE DIMENSIONED PART IS MANUFACTURED IN A COUNTRY OTHER THAN THE UNITED STATES OF AMERICA. DIMENSIONS IN PARENTHESES ARE TO BE USED WHEN THE DIMENSIONED PART IS MANUFACTURED IN A COUNTRY OTHER THAN THE UNITED STATES OF AMERICA.

ABM INTERNATIONAL  
 2400 W. 10TH AVENUE  
 DENVER, CO 80202

STAND ALONE ADJUSTABLE  
 FILLER AND TABLE

DATE: 11-16-01

REV	NO	DATE	BY	CHKD
1	1			

E-1007-213