

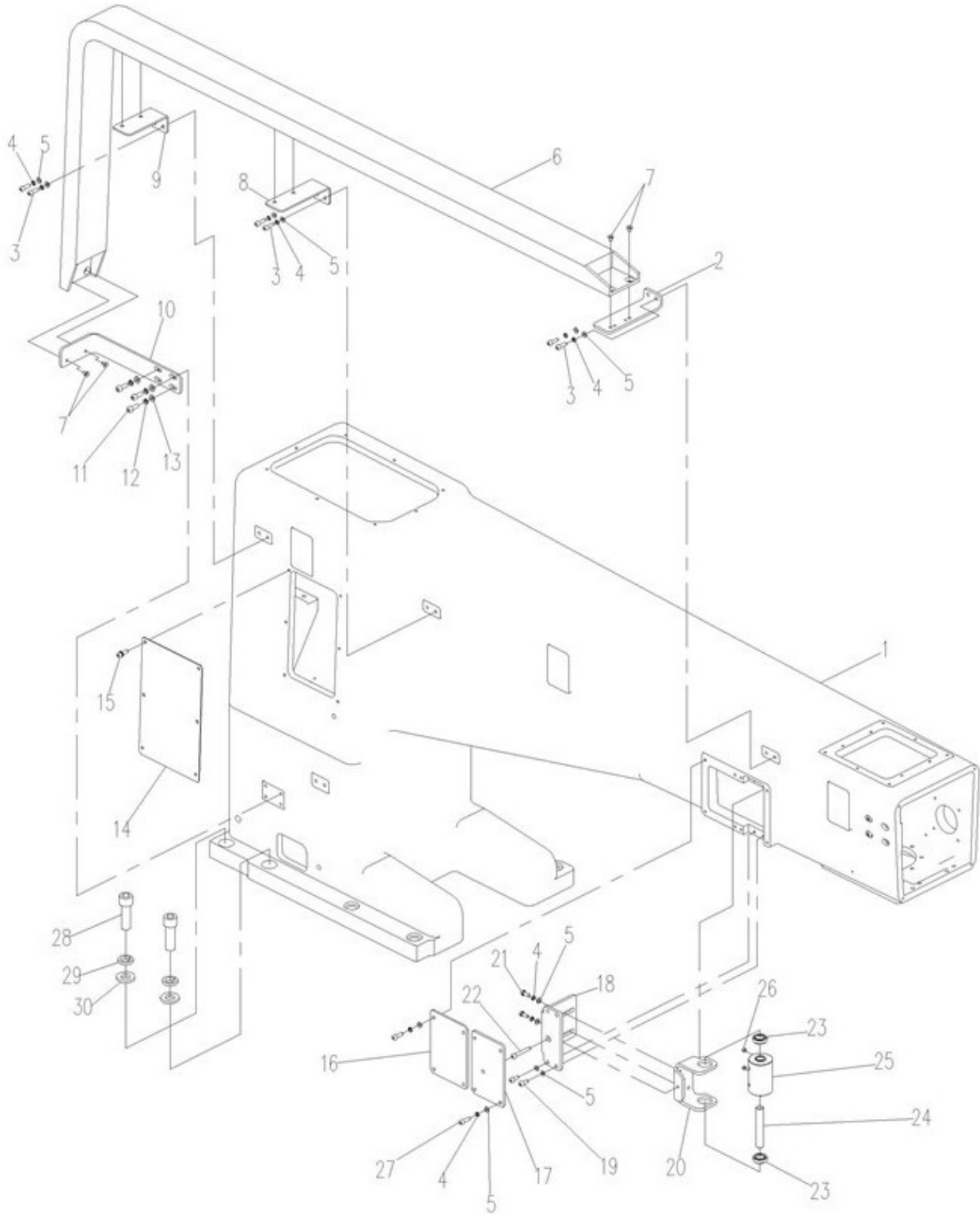
Rotary Head CNC Quilter 6336 & 5436

Parts Manual

Table of Contents

Section	Name	Page
1	Cantilever Arm Left Side	3
2	Cantilever Arm Right Side	5
3	Cantilever Arm Internal Components	7
4	Cantilever Arm Rear and Y-Axis Motor Drive	10
5	Y-Axis Drive Pulley Assembly	12
6	Y-Axis Belt Tension Assembly	14
7	Y-Axis Linear Saddle Assembly	16
8	Y-Axis Ball Screw and Linear Rail Assembly	18
9	Rotary Base Drive Assembly	20
10	Base Casting Mount Assembly	22
11	Rotary Head Assembly Right Side	24
12	Head Upper Shaft and Motor Assembly	26
13	Presser Foot and Motor	28
14	Rotating Head Assembly Left Side	30
15	Thread Stand Assembly	32
16	Needle Bar Assembly	34
17	Rotary Base Assembly	36
18	Thread Cutter Drive	38
19	Sew Base Assembly	40
20	Hook Oiling Assembly	43
21	Table Subframe Assembly	45
22	Table Subframe Support Assembly	47
23	Subframe Components	49
24	Tabletop Components	52
25	X-Axis Ball Screw Assembly	55
26	X-Axis Motor Assembly	57
27	X-Axis Carriage Assembly	59
27.1	X-Axis Carriage Assembly – Pin Style	61
28	X-Axis Bearing Rail Assembly	63
29	Needle Cooler	65
30	Pendant Assembly	67
31	Barcode Scanner Assembly	69
32	Wire Guide Assembly	71

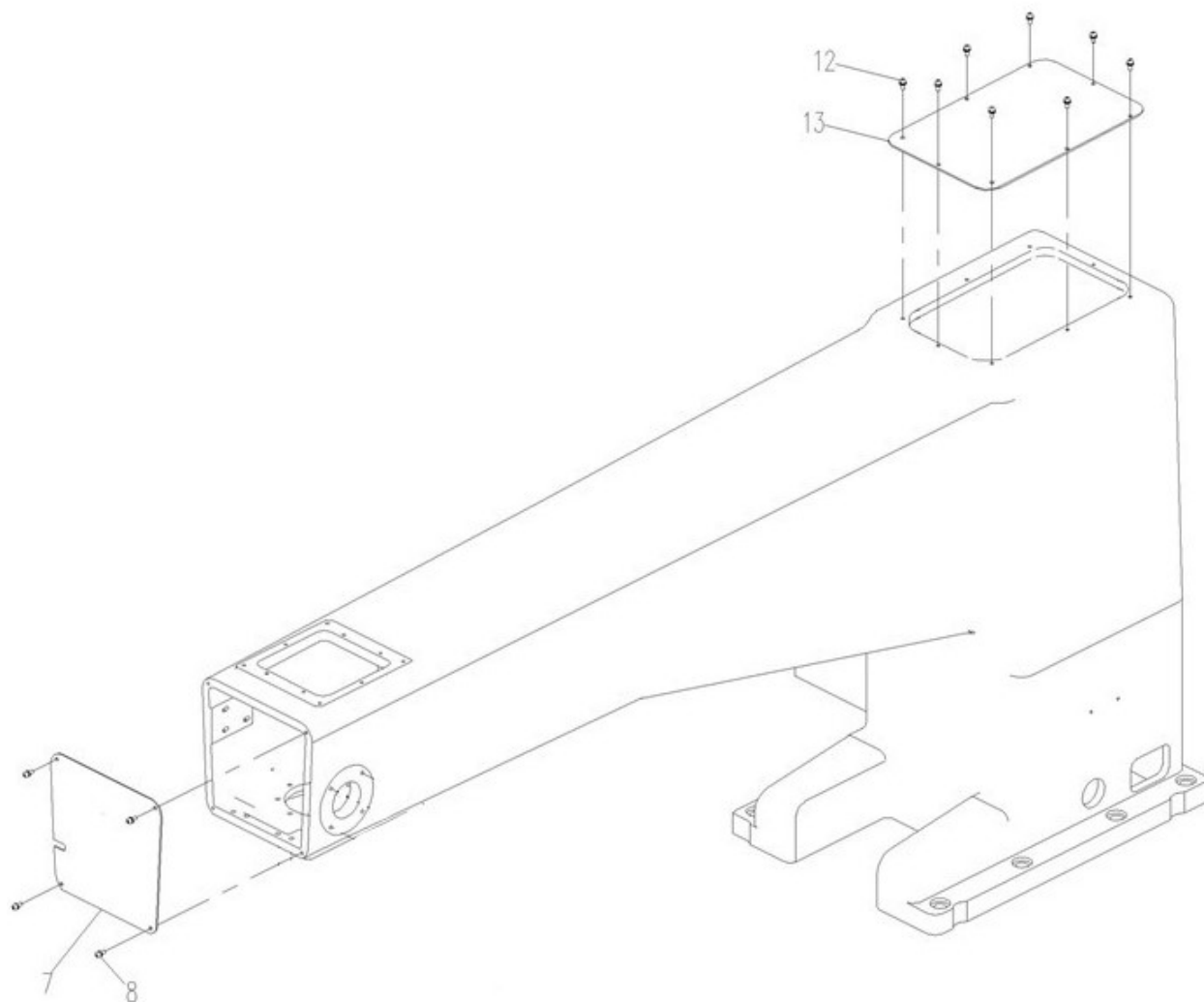
1. Cantilever Arm Left Side



1. Cantilever Arm Left Side

Number	Part Number	New #	Quantity	Notes
1	87005312100	87005312100	1	
2	87005304150	87005304150	1	
3	91-70.1-0516-3	91-70.1-0516-3	6	
4	91-93-05-1	ZHD1022	18	
5	91-97.1-05-2	91-97.1-05-2	18	
6	87000383240	87000383240	1	
7	91-70.3-0508-3	91-70.3-0508-3	4	
8	87005305150	87005305150	1	
9	87005306150	87005306150	1	
10	87000391150	87000391150	1	
11	91-70.1-0616-3	91-70.1-0616-3	4	
12	91-93-06-1	ZHD1023	4	
13	91-97.1-06-2	91-97.1-06-2	4	
14	87005309150	87005309150	1	
15	91-70.1-0410-3-05	91-70.1-0410-3-05	6	
16	87005302150	87005302150	1	
17	87005315150	87005315150	1	
18	87000364150	87000364150	1	
19	91-70.1-0512-1	ZHD1011	4	
20	87000365150	87000365150	1	
21	91-5783-0512-1	91-5783-0512-1	4	
22	91-70.1-0535-1	91-70.1-0535-1	1	
23	91-276-6901ZZ-NSK	91-276-6901ZZ-NSK	2	
24	87000366110	87000366110	1	
25	87000367260	87000367260	1	
26	91-77-0606-1	ZHD1018	4	
27	91-70.1-0512-3	91-70.1-0512-3	8	
28	91-70.1-1445-1	91-70.1-1445-1	2	
29	91-848-14-2	91-848-14-2	2	
30	91-93-14-1	91-93-14-1	2	

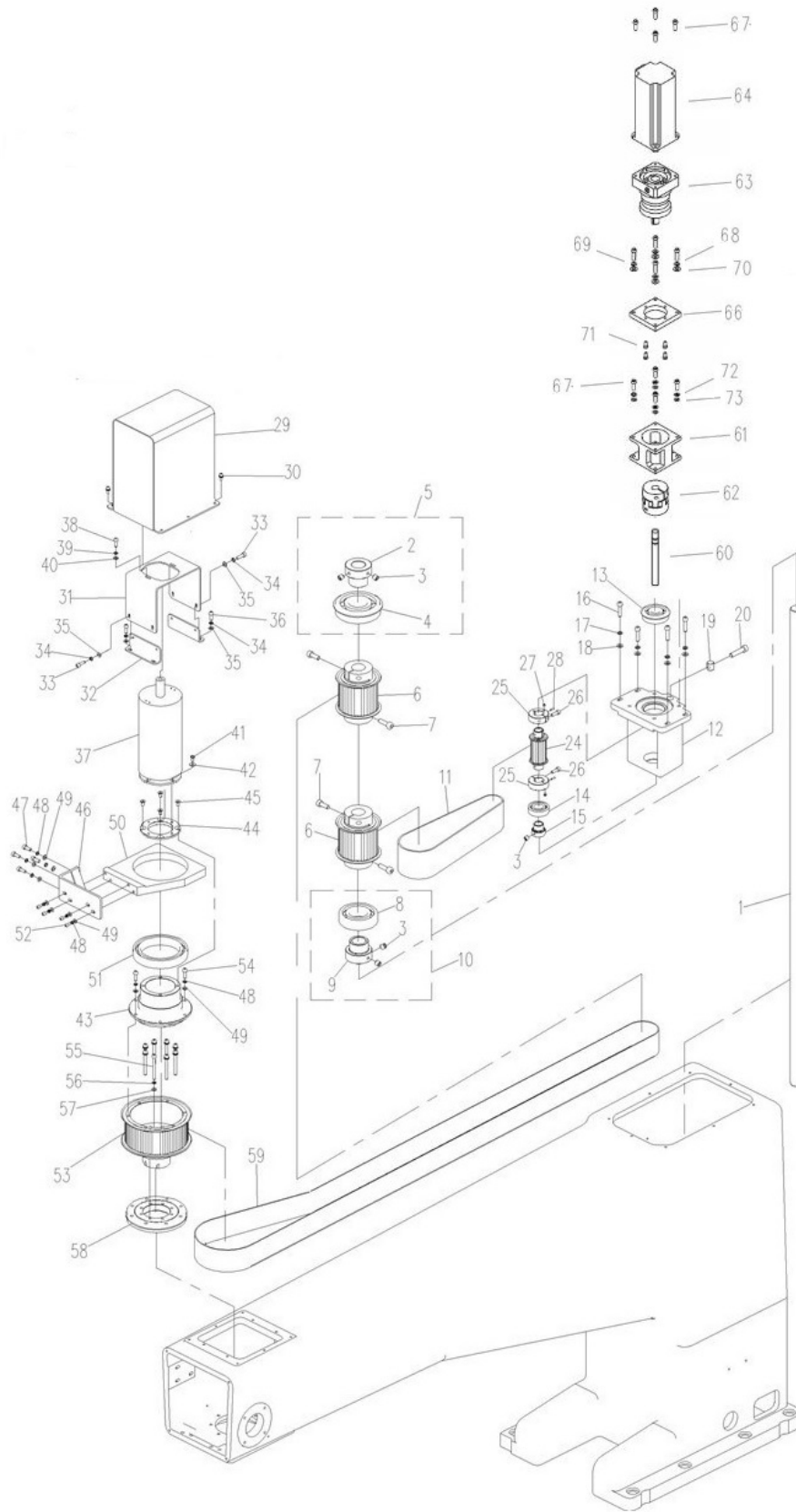
2. Cantilever Arm Right Side



2. Cantilever Arm Right Side

Number	Part Number	New #	Quantity	Notes
7	87005308150		1	
8	91-70.1-0410-3-05		4	
12	87005311150		1	
13	91-70.1-0410-3-05		8	

3. Cantilever Arm Internal Components

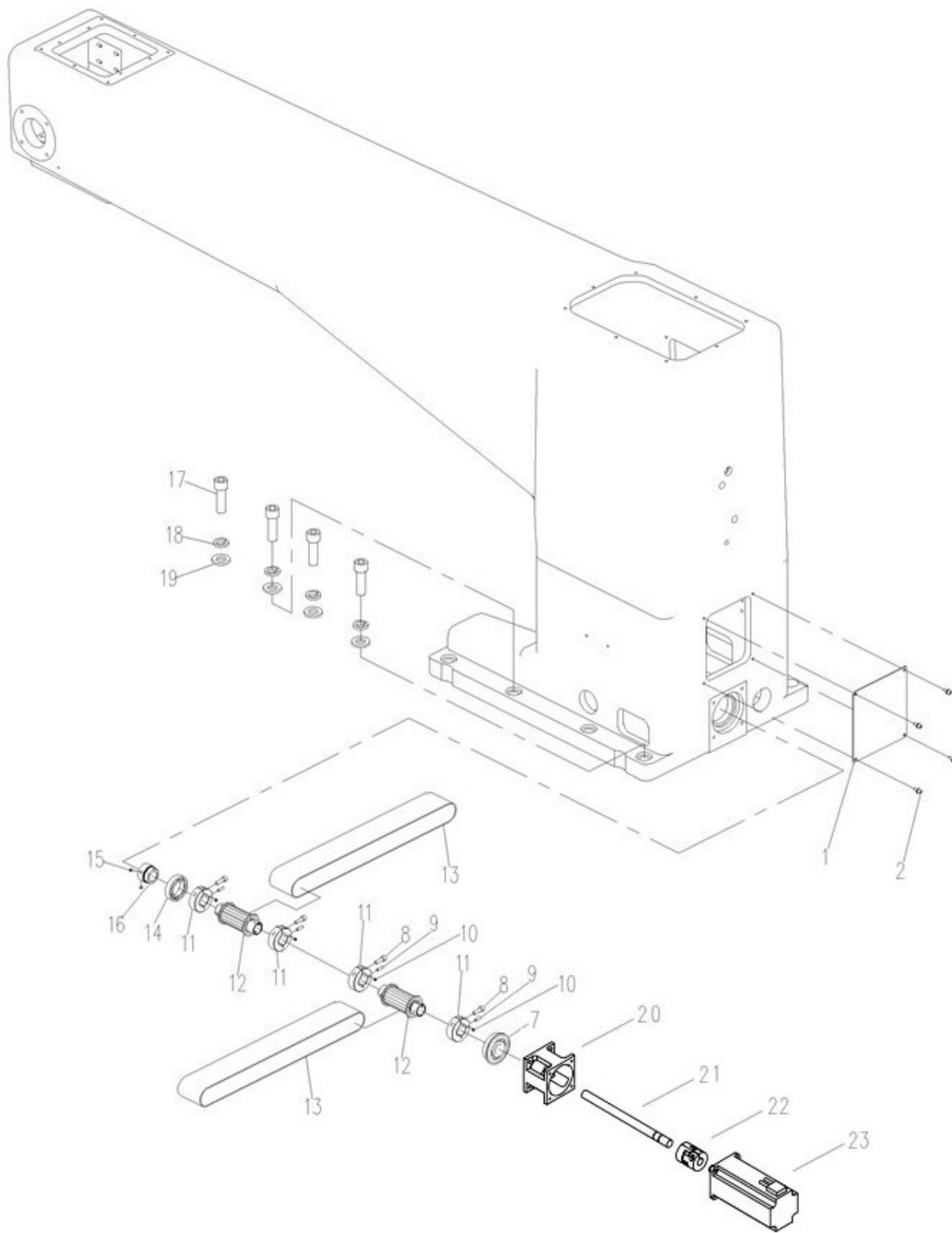


3. Cantilever Arm Internal Components

Number	Part Number	New #	Quantity	Notes
1	87000370110	87000370110	1	
2	87000369120	87000369120	1	
3	82000124170	ZHD1042	6	
4	91-276-6306ZZNR-NSK	91-276-6306ZZNR-NSK	1	
5	87000369125	87000369125	1	
6	87000371230	87000371230	2	
7	91-70.1-0616-1	91-70.1-0616-1	4	
8	91-276-6206ZZ-NSK	91-276-6206ZZ-NSK	1	
9	87000373120	87000373120	1	
10	87000373125	87000373125	1	
11	87000399240	87000399240	1	
12	87005303280	87005303280	1	
13	91-276-6302ZZNR-NSK	91-276-6302ZZNR-NSK	1	
14	91-276-6004ZZ-NSK	91-276-6004ZZ-NSK	1	
15	87000377120	87000377120	1	
16	91-70.1-0625-1	91-70.1-0625-1	4	
17	91-93-06-1	ZHD1023	8	
18	91-97.1-06-2	91-97.1-06-2	4	
19	83000405110	83000405110	1	
20	91-70.1-0840-1	91-70.1-0840-1	1	
22	91-70.1-0620-1	ZHD1041	4	
23	91-848-06-2	91-848-06-2	4	
24	87000375230	87000375230	1	
25	87000376290	87000376290	2	
26	91-70.1-0516-1	91-70.1-0516-1	2	
27	91-77-0505-1	91-77-0505-1	2	
28	91-119.1-0212-2	91-119.1-0212-2	2	
29	87005307150	87005307150	1	
30	91-70.1-0410-3-05	91-70.1-0410-3-05	6	
31	87000394150	87000394150	1	
32	87000393150	87000393150	2	
33	91-70.1-0408-1	ZHD1010	4	
34	91-93-04-1	ZHD1021	8	
35	91-97.1-04-2	91-97.1-04-2	8	
36	91-70.1-0410-1	91-70.1-0410-1	4	
37	87000228400	87000228400	1	
38	91-70.1-0308-1	91-70.1-0308-1	4	
39	91-93-03-1	91-93-03-1	4	
40	91-97.1-03-2	91-97.1-03-2	4	
41	91-5783-0408-2	91-5783-0408-2	4	
42	91-96.1-04-2	91-96.1-04-2	4	
43	87000396280	87000396280	1	
44	87000395280	87000395280	1	
45	91-70.3-0508-1	91-70.3-0508-1	4	
46	87000358150	87000358150	1	

47	91-70.1-0516-3	91-70.1-0516-3	4	
48	91-93-05-1	ZHD1022	14	
49	91-97.1-05-2	91-97.1-05-2	14	
50	87000359280	87000359280	1	
51	91-276-6916ZZ-NSK	91-276-6916ZZ-NSK	1	
52	91-70.1-0516-1	91-70.1-0516-1	4	
53	87000397280	87000397280	1	
54	91-70.1-0516-1	91-70.1-0516-1	6	
55	91-70.1-0450-1	91-70.1-0450-1	8	
56	91-93-04-1	ZHD1021	8	
57	91-97.1-04-2	91-97.1-04-2	8	
58	87000361120	87000361120	1	
59	87000222240	87000222240	1	
60		ZPT1261	1	
61		ZPT1319	1	
62		ZPT1322	1	
63		ZPT1320	1	
64		ESM80K-C2	1	Servo Motor
65				
66		ZPT1318	1	
67		ZHD1041	4	
68		HDW1036	4	
69		HDW1040	4	
70		HDW1039	4	
71		ZHD1011	4	
72		ZHD1023	4	
73		ZHD1026	4	
74		LAC-AAA401	1	Motor Power Cable
75		LEC-AAA401	1	Encoder Cable

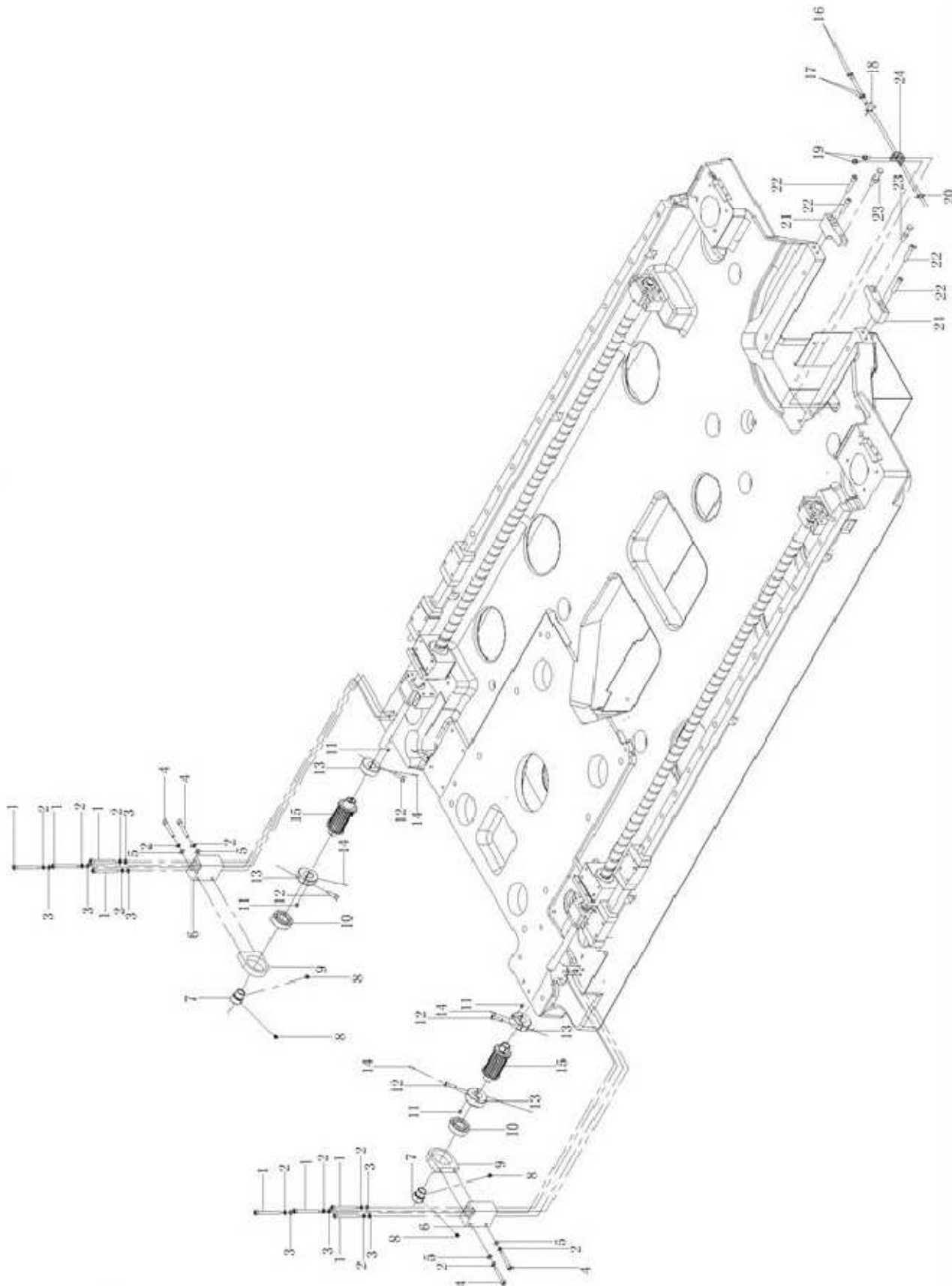
4. Cantilever Arm Rear and Y-Axis Motor Drive



4. Cantilever Arm Rear and Y-Axis Motor Drive

Number	Part Number	New #	Quantity	
1	87005310150	87005310150	1	
2	91-70.1-0410-3-05	91-70.1-0410-3-05	4	
3	91-70.1-0516-1	91-70.1-0516-1	4	
4	91-93-05-1	ZHD1022	4	
5	91-848-05-2	91-848-05-2	4	
6	93-21 0019-0807	93-21 0019-0807	1	
7	91-276-6303ZZNR- NSK	91-276-6303ZZNR- NSK	1	
8	91-70.1-0512-1	ZHD1011	4	
9	91-119.1-0210-2	91-119.1-0210-2	4	
10	91-77-0505-1	91-77-0505-1	4	
11	87000379290	87000379290	4	
12	87000378230	87000378230	2	
13	87000380240	87000380240	2	
14	91-276-6905ZZ-NSK	91-276-6905ZZ-NSK	1	
15	82000124170	ZHD1042	2	
16	87000381120	87000381120	1	
17	91-70.1-1455-1	91-70.1-1455-1	6	
18	91-848-14-2	91-848-14-2	6	
19	91-93-14-1	91-93-14-1	6	
20		ZPT1265	1	
21		ZPT1264	1	
22		ZPT1276	1	
23		ESM80K-C2	1	Servo Motor

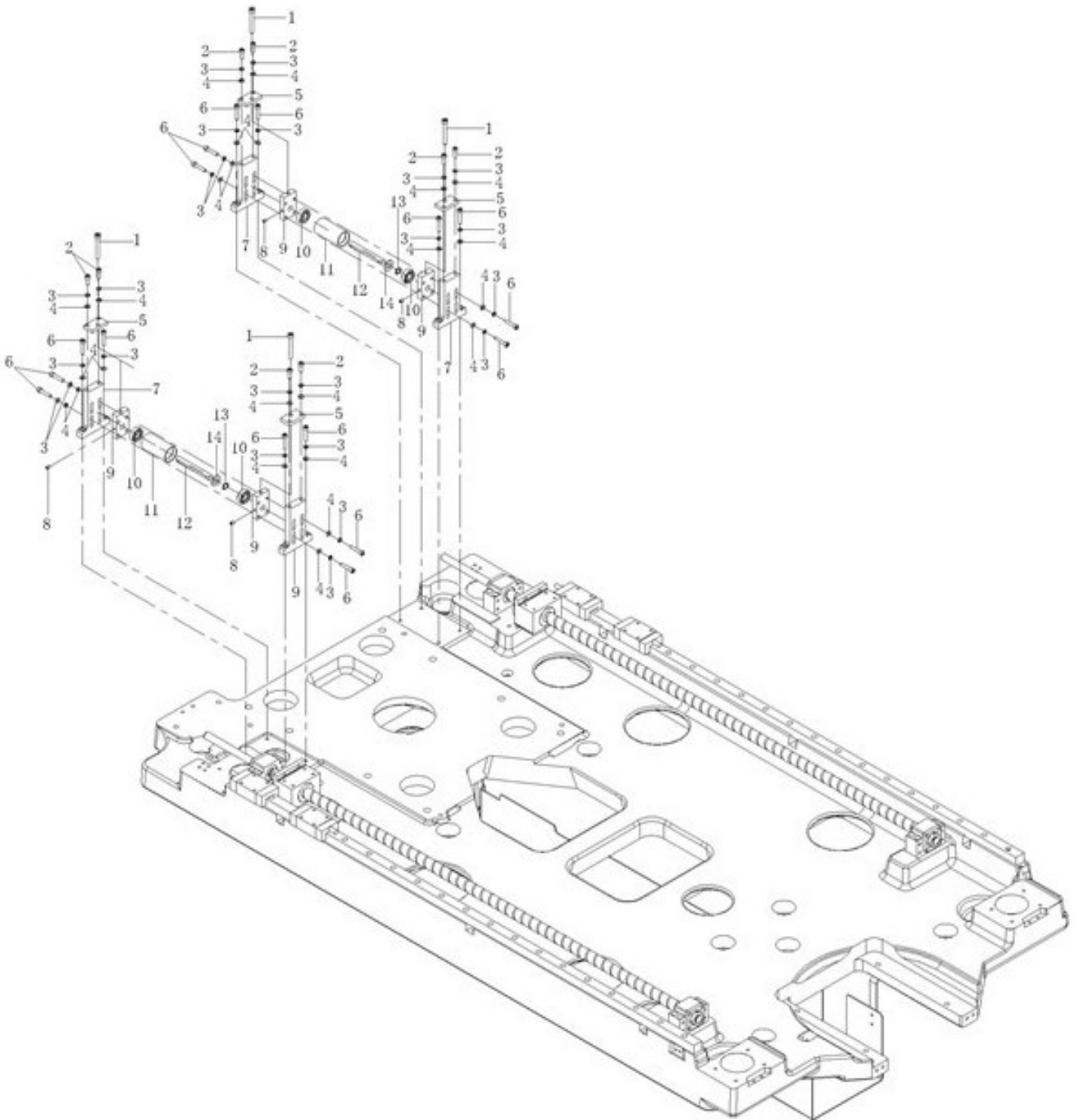
5. Y-Axis Drive Pulley Assembly



5. Y-Axis Drive Pulley Assembly

Number	Part Number	New #	Quantity	Notes
1	91-70.1-0550-1	91-70.1-0550-1	8	
2	91-93-05-1	ZHD1022	12	
3	91-848-05-2	91-848-05-2	8	
4	91-70.1-0530-1	91-70.1-0530-1	4	
5	91-97.1-05-2	91-97.1-05-2	4	
6	87000545280	87000545280	2	
7	87000549120	87000549120	2	
8	82000124170	ZHD1042	4	
9	87000544280	87000544280	2	
10	91-276-6203ZZ-NSK	91-276-6203ZZ-NSK	2	
11	91-77-0505-1	91-77-0505-1	4	
12	91-70.1-0516-1	91-70.1-0516-1	4	
13	87000543290	87000543290	4	
14	91-119.1-0212-2	91-119.1-0212-2	4	
15	87000543290	87000543290	2	
16	91-70.1-0310-1	ZHD1048	2	
17	91-848-03-2	91-848-03-2	2	
18	93-30 0009-0480	93-30 0009-0480	1	
19	91-70.1-0410-3-05	91-70.1-0410-3-05	2	
20	81000547150	81000547150	1	
21	87000572280	87000572280	2	
22	91-70.1-0630-1	91-70.1-0630-1	4	
23	87000573280	87000573280	2	
24	87000571150	87000571150	1	

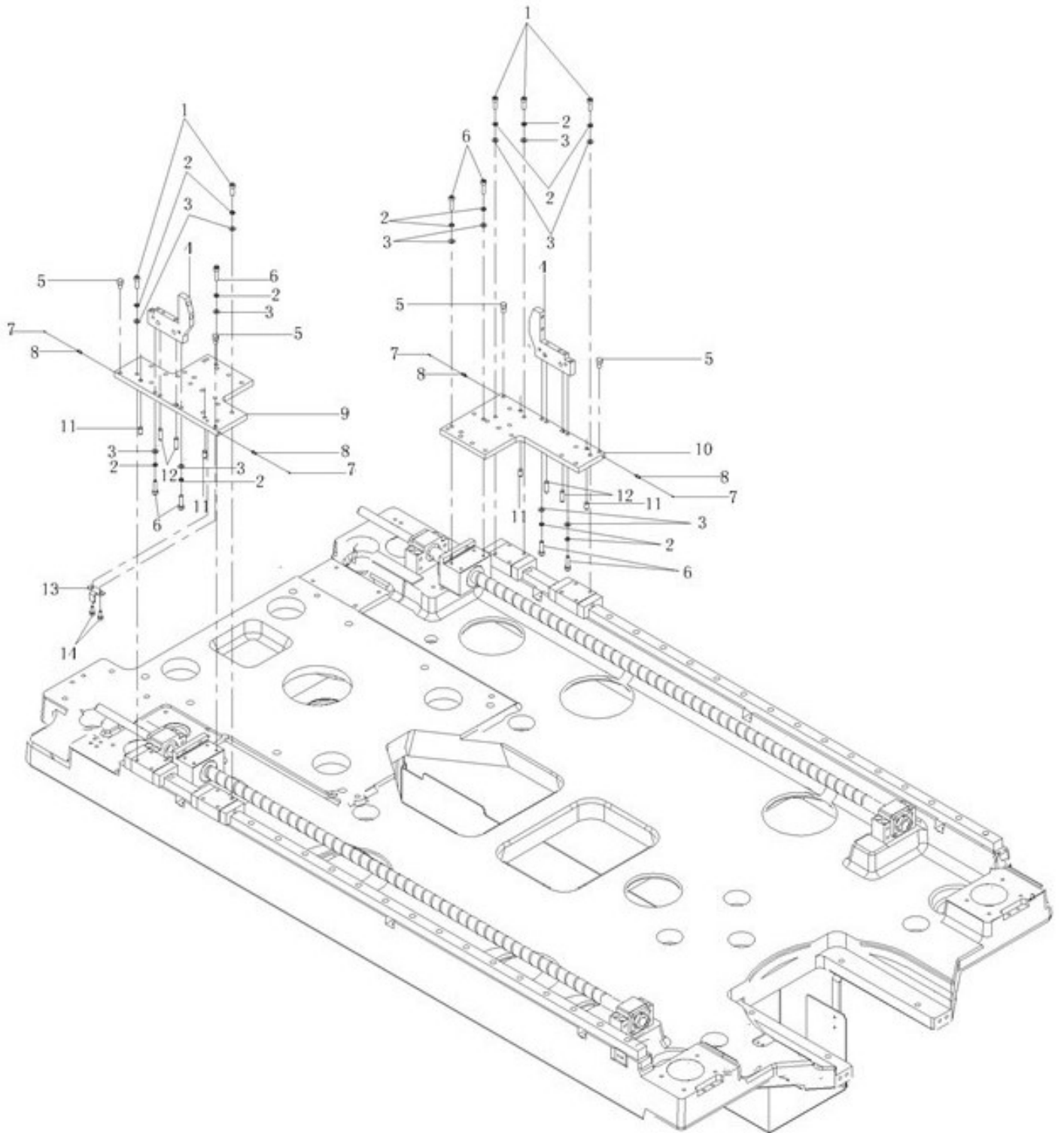
6. Y-Axis Belt Tension Assembly



6. Y-Axis Belt Tension Assembly

Name	Part Number	New #	Quantity	Notes
1	91-70.1-0645-1	91-70.1-0645-1	4	
2	91-70.1-0514-1	91-70.1-0514-1	8	
3	91-93-05-1	ZHD1022	32	
4	91-97.1-05-2	91-97.1-05-2	32	
5	87000551150	87000551150	4	
6	91-70.1-0525-1	ZHD1012	24	
7	87000550280	87000550280	4	
8	91-77-0506-1	91-77-0506-1	4	
9	87000552150	87000552150	4	
10	91-276-6000ZZ-NSK	91-276-6000ZZ-NSK	4	
11	87000554260	87000554260	2	
12	87000553110	87000553110	2	
13	91-894.1-10-1	91-894.1-10-1	2	
14	91-97.1-10-2	91-97.1-10-2	2	

7. Y-Axis Linear Saddle Assembly



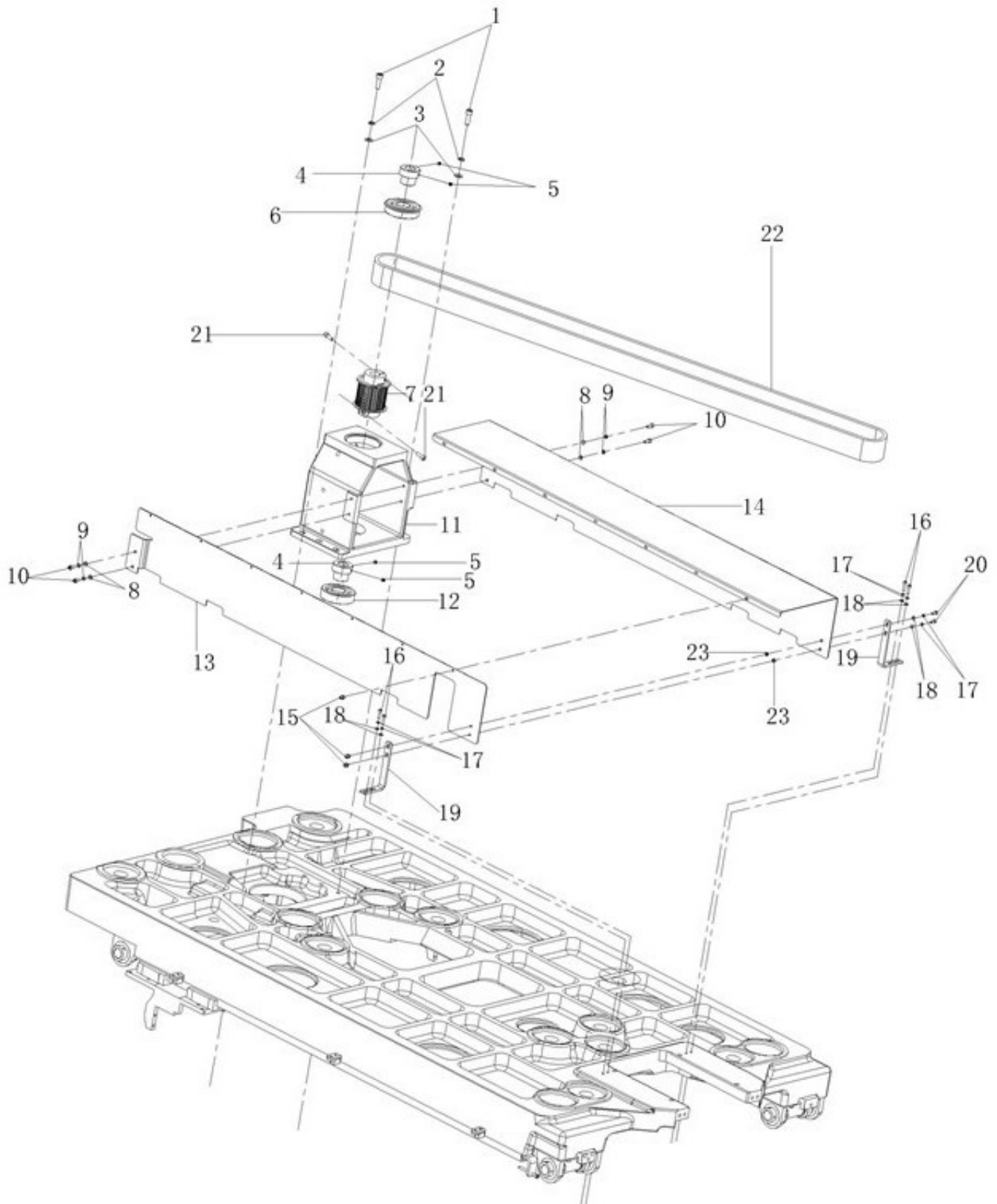
7. Y-Axis Linear Saddle Assembly

Number	Part Number	New #	Quantity	Notes
1	91-70.1-0516-1	91-70.1-0516-1	16	
2	91-93-05-1	ZHD1022	28	
3	91-97.1-05-2	91-97.1-05-2	28	
4	87000533280	87000533280	2	
5	92-42 0006-0304	92-42 0006-0304	4	
6	91-70.1-0520-1	91-70.1-0520-1	12	
7	91-YG-0001	91-YG-0001	0.26	
8	92-42 0008-06	92-42 0008-06	4	
9	87000532280	87000532280	1	
10	87000539280	87000539280	1	
11	91-119.1-0612-0	91-119.1-0612-0	4	
12	91-119.1-0620-0	91-119.1-0620-0	4	
13	87000559150	87000559150	1	
14	91-70.1-0412-3-05	91-70.1-0412-3-05	2	

8. Y-Axis Ball Screw and Linear Rail Assembly

Number	Part Number	New #	Quantity	Notes
1	87000535005	87000535005	2	
2	91-70.1-0520-1	91-70.1-0520-1	38	
3	91-70.1-0645-1	91-70.1-0645-1	16	
4	91-93-06-1	ZHD1023	28	
5	91-848-06-2	91-848-06-2	16	
6	82000803005	82000803005	4	
7	91-70.1-0620-1	ZHD1041	12	
8	91-97.1-06-2	91-97.1-06-2	12	
9	92-42 0010-06	92-42 0010-06	2	
10	87000540005	87000540005	2	
11	91-70.1-0516-1	91-70.1-0516-1	8	
12	91-93-05-1	ZHD1022	8	
13	91-97.1-05-2	91-97.1-05-2	8	
14	87000541280	87000541280	2	
15	91-6170-05-2	91-6170-05-2	2	
16	87000582280	87000582280	1	
17	91-70.1-0550-1	91-70.1-0550-1	2	
18	87000581280	87000581280	1	
19	92-42 0037-0604	92-42 0037-0604	4	

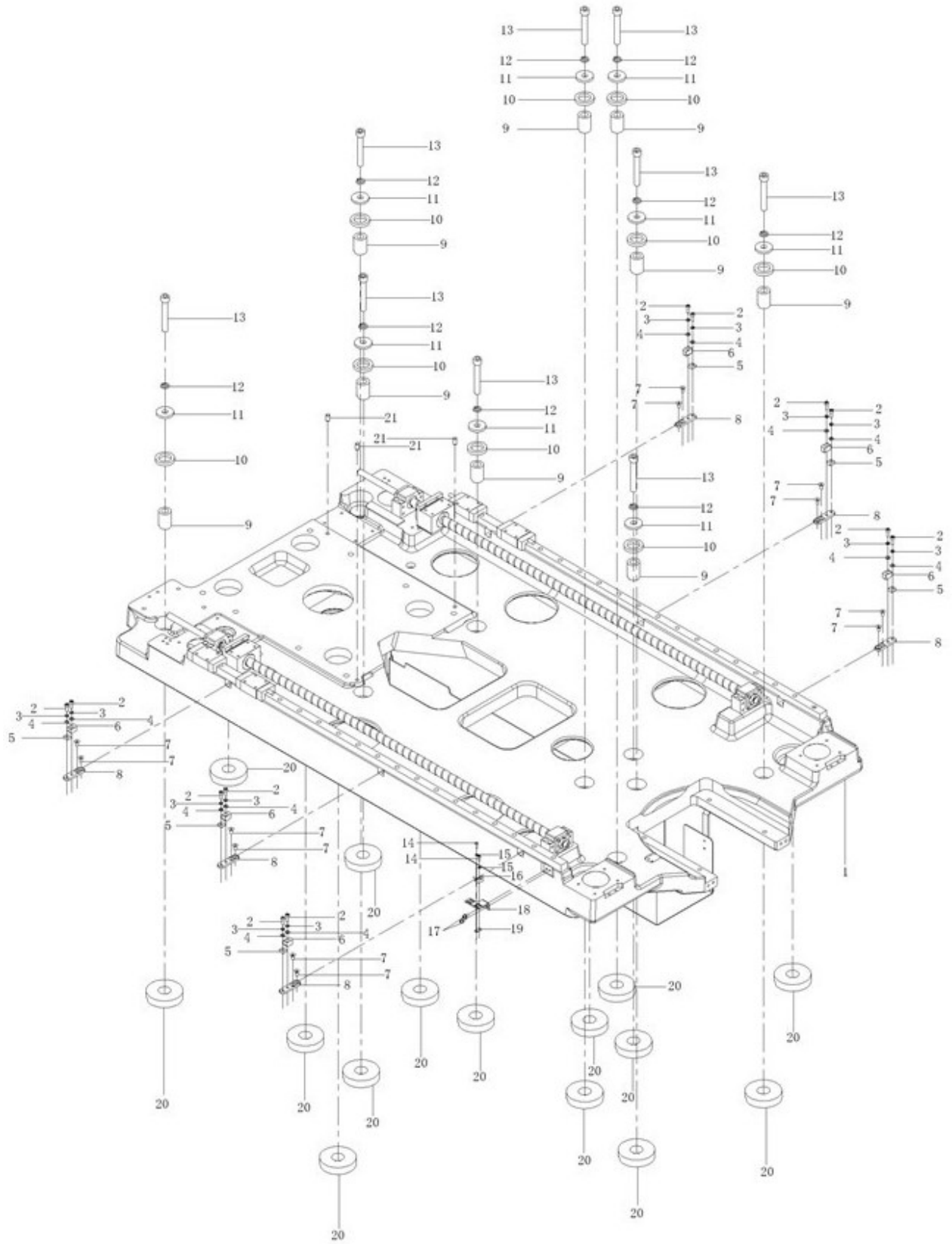
9. Rotary Base Drive Assembly



9. Rotary Base Drive Assembly

Number	Part Number	New #	Quantity	Notes
1	91-70.1-0825-1	91-70.1-0825-1	6	
2	91-93-08-1	91-93-08-1	6	
3	91-97.1-08-2	91-97.1-08-2	6	
4	87000369120	87000369120	2	
5	82000124170	ZHD1042	4	
6	91-276-6306ZZNR- NSK	91-276-6306ZZNR- NSK	1	
7	87000371230	87000371230	1	
8	91-97.1-05-2	91-97.1-05-2	4	
9	91-93-05-1	ZHD1022	4	
10	91-70.1-0512-1	ZHD1011	4	
11	87000579280	87000579280	1	
12	91-276-6306ZZ-NSK	91-276-6306ZZ-NSK	1	
13	87000569150	87000569150	1	
14	87000570150	87000570150	1	
15	91-70.1-0410-3-05	91-70.1-0410-3-05	9	
16	91-70.1-0416-1	91-70.1-0416-1	4	
17	91-93-04-1	ZHD1021	6	
18	91-97.1-04-2	91-97.1-04-2	6	
19	87000568150	87000568150	2	
20	91-70.1-0410-1	91-70.1-0410-1	2	
21	91-70.1-0616-1	91-70.1-0616-1	2	
22	87000222240	87000222240	1	
23	91-6170-04-2	91-6170-04-2	2	

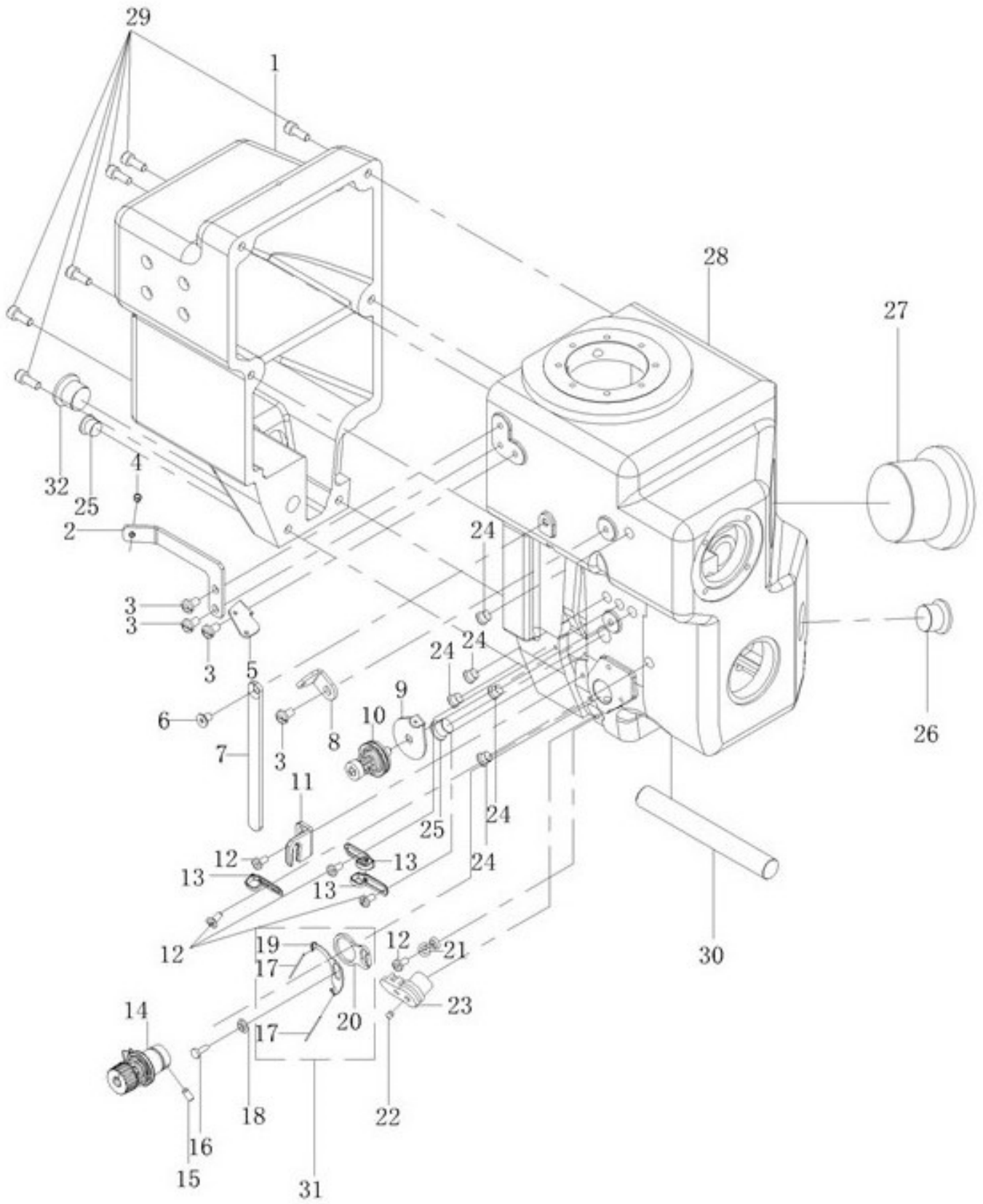
10. Base Casting Mount Assembly



10. Base Casting Mount Assembly

Number	Part Number	New #	Quantity	Notes
1	87000522100	87000522100	1	
2	91-70.1-0520-1	91-70.1-0520-1	12	
3	91-93-05-1	ZHD1022	12	
4	91-848-05-2	91-848-05-2	12	
5	83000417150	83000417150	6	
6	87000557280	87000557280	6	
7	91-70.3-0512-1	91-70.3-0512-1	12	
8	83000415150	83000415150	6	
9	87000560120	87000560120	9	
10	81000404260	81000404260	9	
11	81000405290	81000405290	9	
12	91-93-12-1	ZHD1051	9	
13	91-70.1-1280-1	91-70.1-1280-1	9	
14	91-70.1-0310-1	ZHD1048	2	
15	91-848-03-2	91-848-03-2	2	
16	93-30 0009-0480	93-30 0009-0480	1	
17	91-70.1-0410-3-05	91-70.1-0410-3-05	2	
18	87000558150	87000558150	1	
19	81000547150	81000547150	1	
20	81000402260	81000402260	15	
21	91-119.1-0816-0	91-119.1-0816-0	3	

11. Rotating Head Assembly Right Side



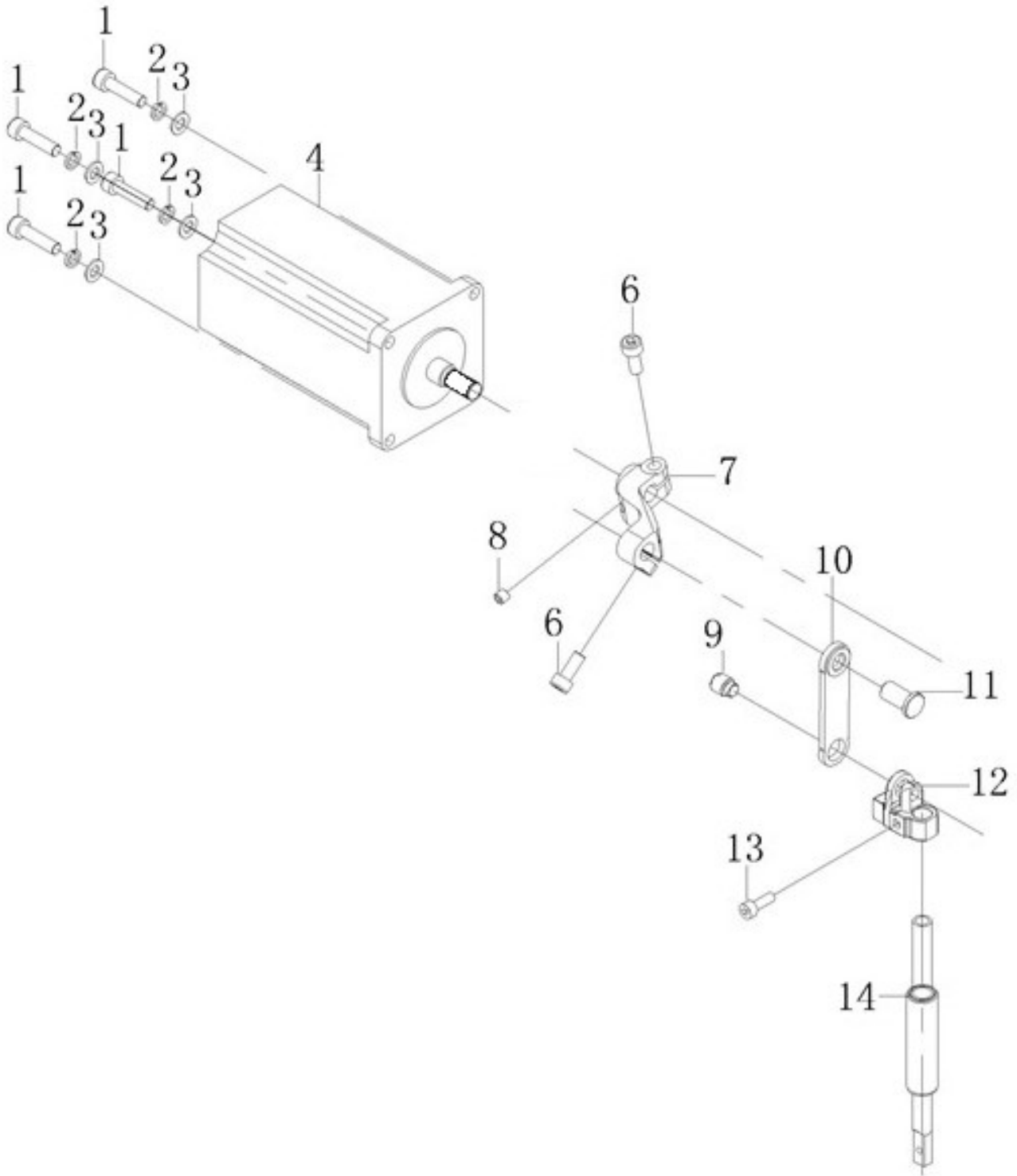
11. Rotating Head Assembly Right Side

Number	Part Number	New #	Quantity	Notes
1	87000186280	87000186280	1	
2	87000159150	87000159150	1	
3	91-65-0512-3	91-65-0512-3	4	
4	50000710120	50000710120	1	
5	8200 0477150	8200 0477150	1	
6	91-70.3-0510-1	91-70.3-0510-1	1	
7	87000160150	87000160150	1	
8	82000402150	ZPT1057	1	
9	82000401150	ZPT1056	1	
10	82000403004	ZPT1058	1	
11	82000426150	ZPT1089	1	
12	91-67-0408-3	91-67-0408-3	5	
13	82000427150	ZPT1090	3	
14	82000412004	ZPT1064	1	
15	91-77-0508-1	ZHD1016	1	
16	82000410170	ZPT1062	1	
17	91-DX-0006	91-DX-0006	2	
18	82000409260	ZPT1061	1	
19	83000420150	83000420150	1	
20	82000411260	ZPT1063	1	
21	82000429150	ZPT1091	1	
22	91-77-0404-1	ZHD1015	1	
23	93-23 0004-005	ZPT1069	1	
24	82000108270	ZPT1083	4	
25	82000109270	ZPT1084	2	
26	81000121270	81000121270	1	
27	87000166270	87000166270	1	
28	87000181100	87000181100	1	
29	91-70.1-0512-3	91-70.1-0512-3	6	
30	93-42 0001-0005	93-42 0001-0005	1	
31	82000408005	82000408005	1	
32	82000110270	ZPT1085	1	

12. Head Upper Shaft and Motor Assembly

Name	Part Number	New #	Quantity	Notes
1	91-70.1-0520-1	91-70.1-0520-1	4	
2	91-93-05-1	ZHD1022	4	
3	91-848-05-2	91-848-05-2	4	
4	93-21 0027-6098	93-21 0027-6098	1	
5	91-276-6004ZZ-NSK	91-276-6004ZZ-NSK	1	
6	87000138120	87000138120	1	
7	82000124170	ZHD1042	10	
8	87000143280	87000143280	1	
9	91-77-0505-1	91-77-0505-1	1	
10	91-70.1-0512-1	ZHD1011	1	
11	91-119.1-0212-2	91-119.1-0212-2	1	
12	87000142230	87000142230	1	
13	87000117240	87000117240	1	
14	91-276-6004ZZNR-NSK	91-276-6004ZZNR-NSK	3	
15	87000182150	87000182150	1	
16	91-70.1-0416-3	91-70.1-0416-3	4	
17	82000220110	ZPT1142	1	
18	91-77-0508-1	ZHD1016	2	
19	82000210005	ZPT1035	1	
20	82000219170	ZHD1038	2	
21	82000218210	ZPT1143	1	
22	82000124170	ZHD1042	2	
23	82000226170	ZPT1039	1	
24	82000227170	ZPT1040	1	
25	82000225290	ZPT1144	1	
26	82000123120	ZPT1146	1	
27	87000145110	87000145110	1	
28	87000171230	87000171230	1	
29	87000140120	87000140120	1	
30	87000183280	87000183280	1	
31	91-70.1-0412-1	ZHD1057	3	
33	87000139123	87000139123	1	
34	82000123123	82000123123	1	
35	87000140125	87000140125	1	
36	82000225294	82000225294	1	
37		LSM60C-C2	1	Servo Motor
38		ZPT1263	1	
39		ZPT1277	1	
40		ZBM1011	1	Encoder
41		LAC-AAA401	1	Motor Power Cable
42		LEC-AAA401	1	Encoder Cable

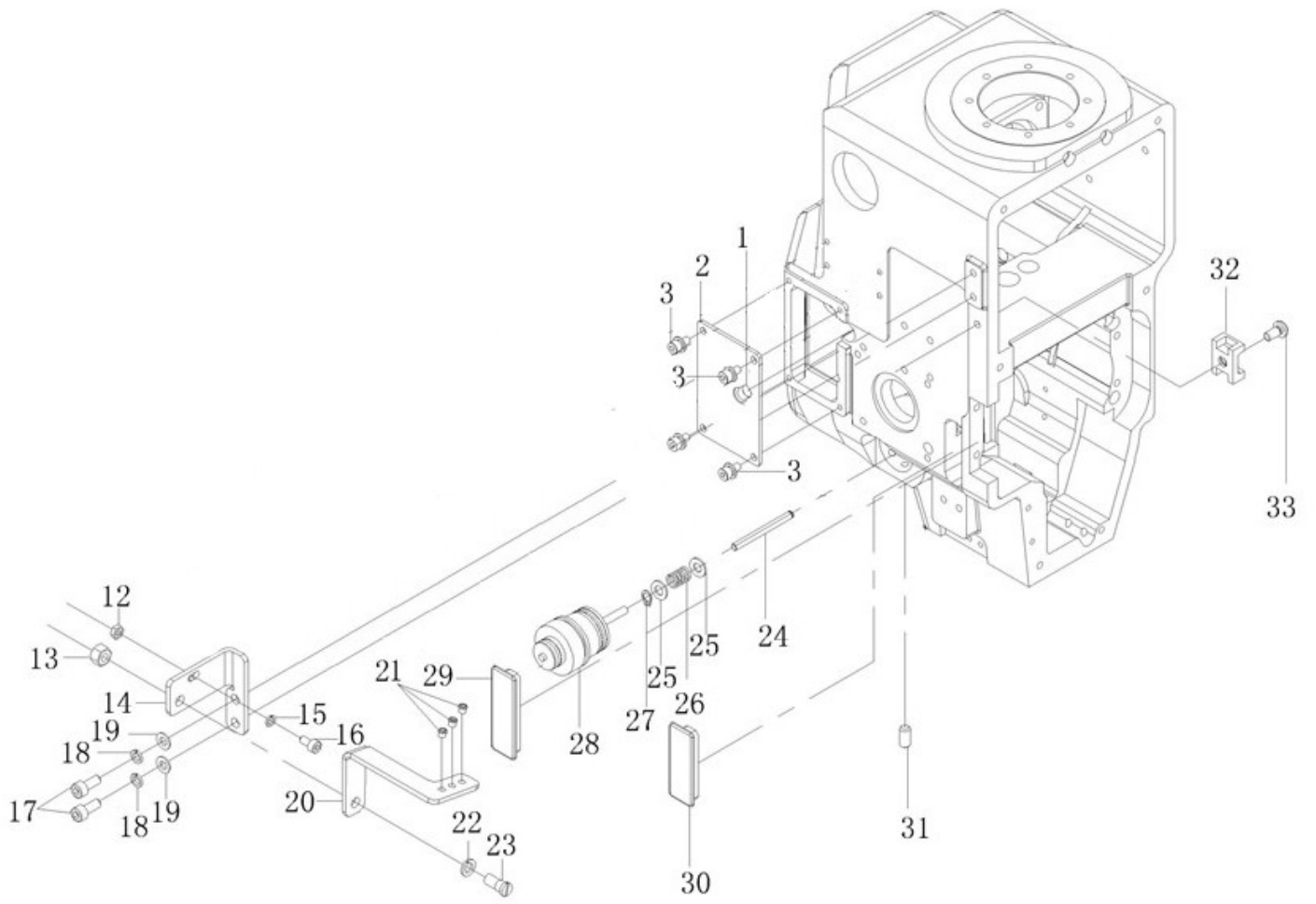
13. Presser Foot Assembly and Motor



13. Presser Foot Assembly and Motor

Number	Part Number	New #	Quantity	Notes
1	91-70.1-0516-1	91-70.1-0516-1	1	
2	91-93-05-1	ZHD1022	1	
3	91-848-05-2	91-848-05-2	1	
4		LSM60C-C2	1	Servo Motor
6	91-70.1-0512-1	ZHD1011	2	
7	83000432290	83000432290	1	
8	91-77-0505-1	91-77-0505-1	1	
9	82005307170	82005307170	1	
10	82000373003	82000373003	1	
11	82000376110	82000376110	1	
12	82005306290	82005306290	1	
13	91-70.1-0412-1	ZHD1057	1	
14	82000119123	82000119123	1	
		LAC-AAA401	1	Motor Power Cable
		LEC-AAA401	1	Encoder Cable

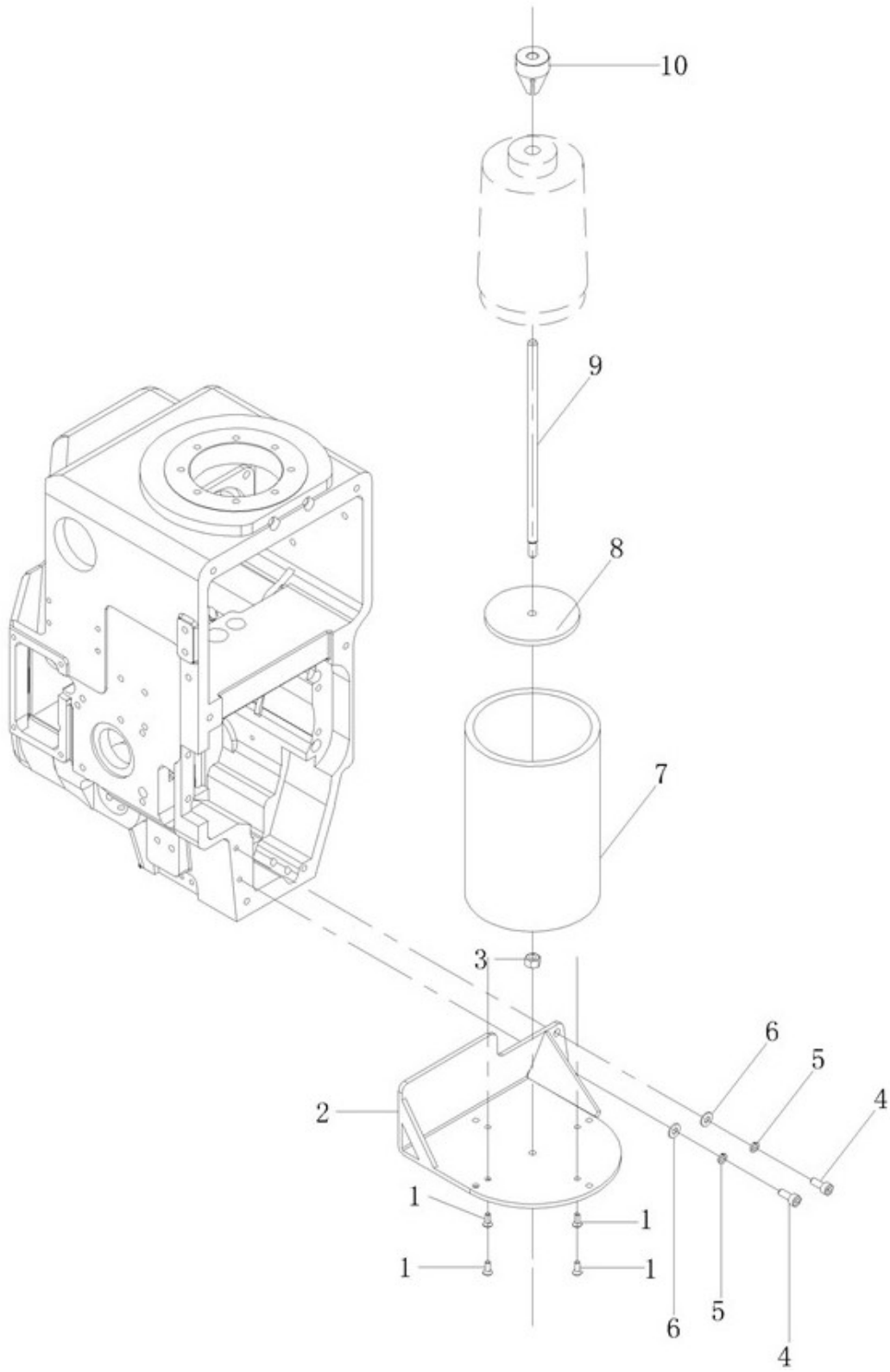
14. Rotating Head Assembly Left Side



14. Rotating Head Assembly Left Side

Number	Part Number	New #	Quantity	Notes
1	87000162270	87000162270	1	
2	87000185150	87000185150	1	
3	91-70.1-0408-3-05	91-70.1-0408-3-05	4	
12	91-6170-04-2	91-6170-04-2	1	
13	91-41-06-2	91-41-06-2	1	
14	87000157150	87000157150	1	
15	91-93-04-1	ZHD1021	1	
16	91-70.1-0408-1	ZHD1010	1	
17	91-70.1-0512-1	ZHD1011	2	
18	91-93-05-1	ZHD1022	2	
19	91-97.1-05-2	91-97.1-05-2	2	
20	87000158150	87000158150	1	
21	50000710120	50000710120	3	
22	91-955-06-1	91-955-06-1	1	
23	82000353170	ZPT1132	1	
24	82000424110	ZPT1065	1	
25	82000330200	82000330200	2	
26	82000425160	82000425160	1	
27	91-896-04-1	91-896-04-1	1	
28	93-23 0001-005	ZPT1067	1	
29	87000164270	87000164270	1	
30	87000176270	87000176270	1	
31	91-77-0510-1	91-77-0510-1	1	
32	82000163260	82000163260	1	
33	91-67-0510-3	ZHD1008	1	

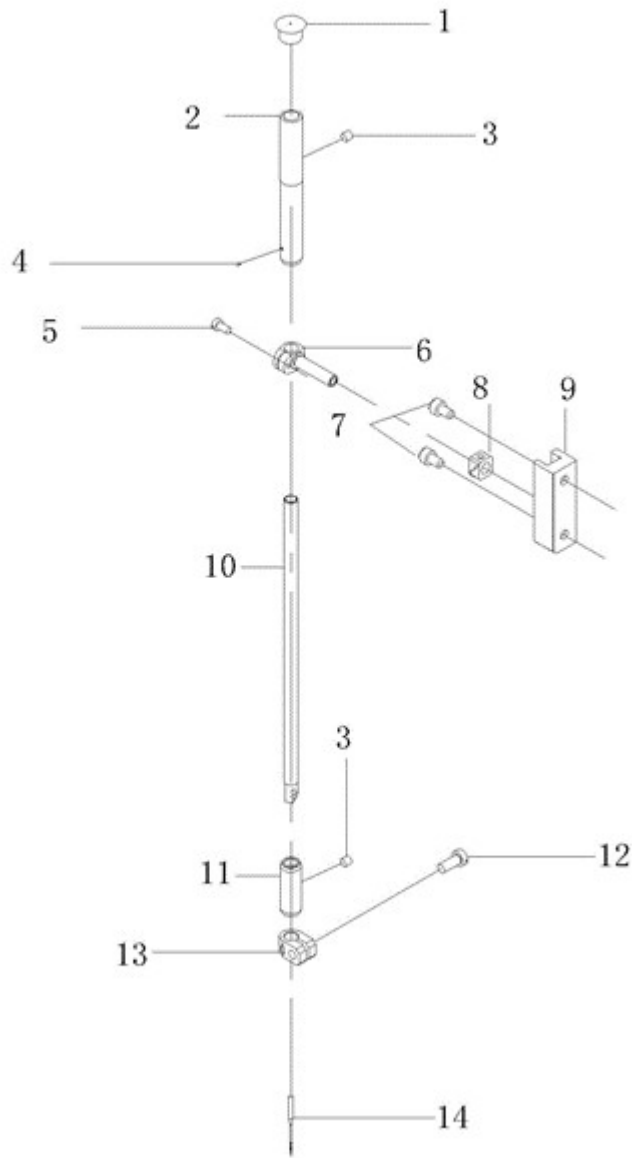
15. Thread Stand Assembly



15. Thread Stand Assembly

Number	Part Number	New #	Quantity	Notes
1	91-70.3-0308-1	91-70.3-0308-1	4	
2	87000184150	87000184150	1	
3	91-41-05-2	91-41-05-2	1	
4	91-70.1-0410-1	91-70.1-0410-1	2	
5	91-93-04-1	ZHD1021	2	
6	91-97.1-04-2	91-97.1-04-2	2	
7	87000153260	87000153260	1	
8	87000177400	87000177400	1	
9	87000154110	87000154110	1	
10	87000155260	87000155260	1	

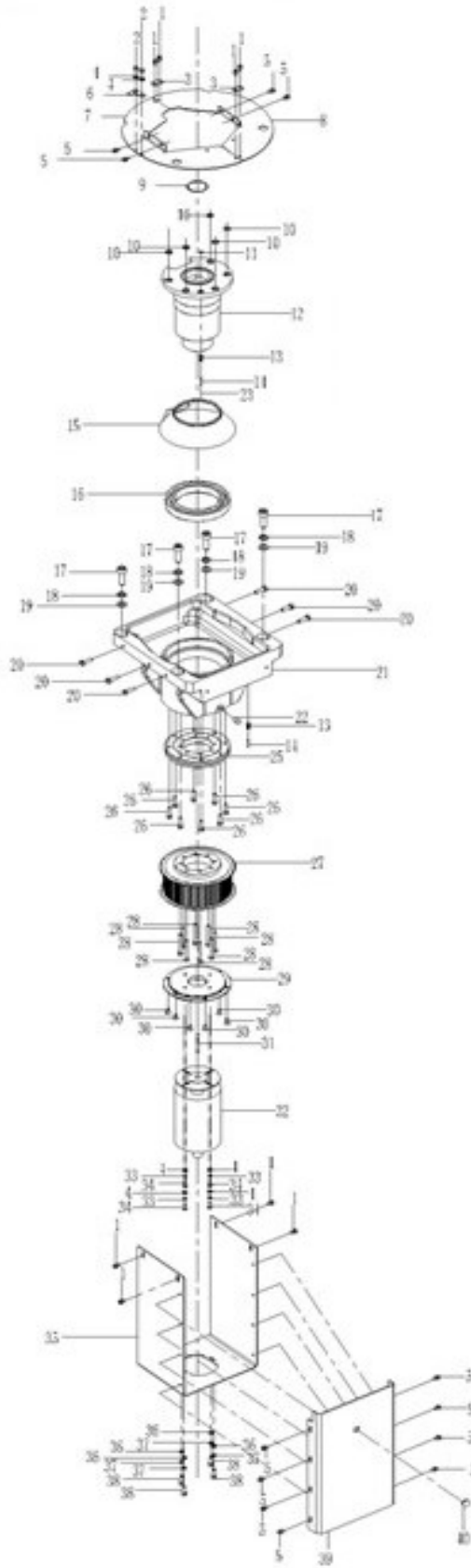
16. Needle Bar Assembly



16. Needle Bar Assembly

Number	Part Number	New #	Quantity	Notes
1	82000117270	ZPT1029	1	
2	82000116120	ZPT1028	1	
3	91-77-0404-1	ZHD1015	2	
4	91-65-0202-1	ZHD1004	1	
5	82000202170	ZPT1087	1	
6	82000201290	ZPT1032	1	
7	82000224170	ZPT1038	2	
8	82000222280	ZPT1036	1	
9	82000223290	ZPT1037	1	
10	82000252110	82000252110	1	
11	82000118120	ZPT1030	1	
12	82000205170	ZPT1088	1	
13	82000206150	ZPT1034	1	
14		ZPT1080	1	Diamond Point #22

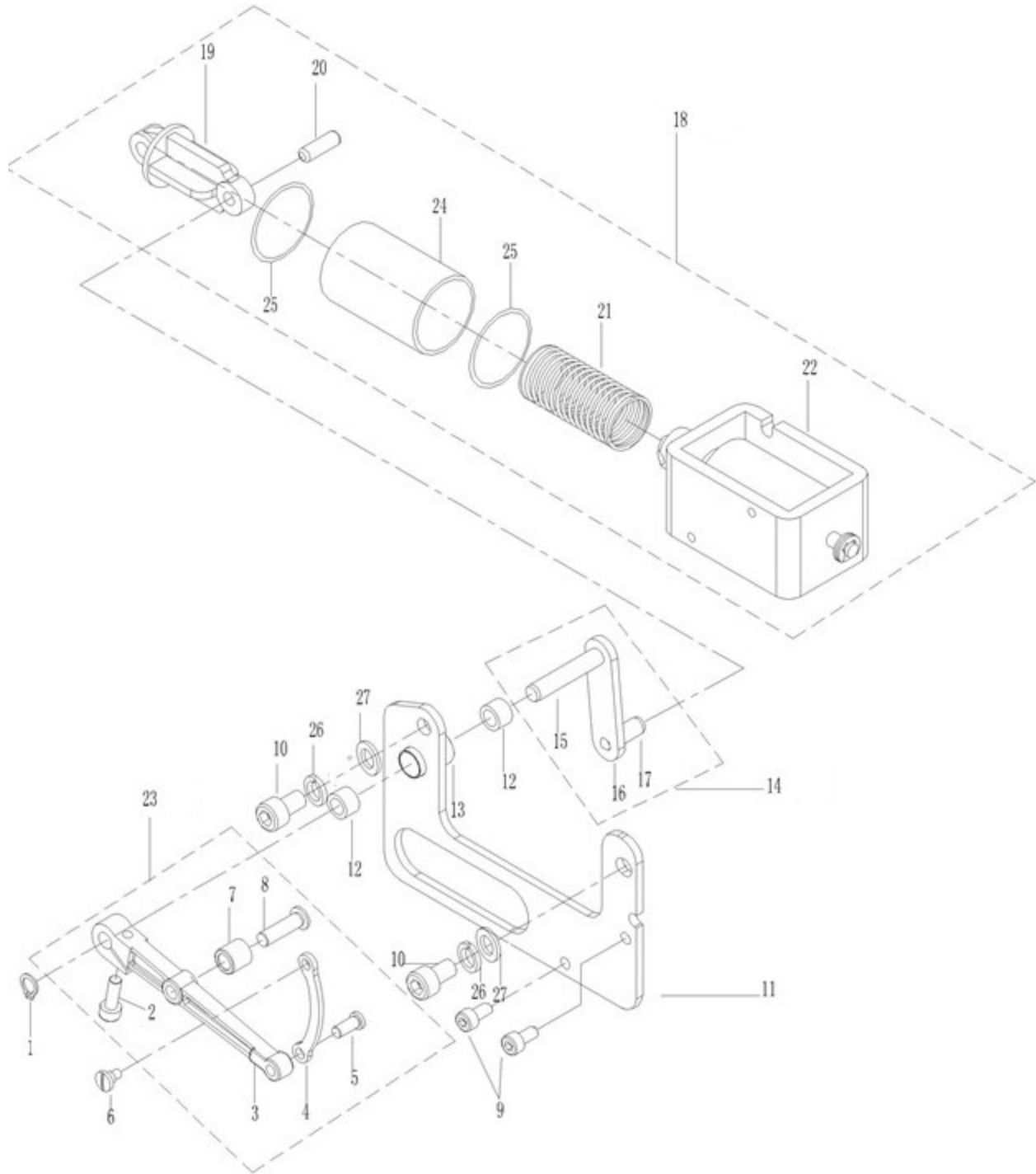
17. Rotary Base Assembly



17. Rotary Base Assembly

Number	Part Number	New #	Quantity	Notes
1	91-70.1-0408-3-05	91-70.1-0408-3-05	8	
2	91-65-0405-1	91-65-0405-1	2	
3	87000434150	87000434150	2	
4	91-97.1-04-2	91-97.1-04-2	6	
5	91-70.1-0410-3-05	91-70.1-0410-3-05	12	
6	81000445290	81000445290	1	
7	87000433150	87000433150	1	
8	87000432150	87000432150	1	
9	91-3452.1-562.65	91-3452.1-562.65	1	
10	91-3452.1-081.8	91-3452.1-081.8	5	
11	91-3452.1-051.8	91-3452.1-051.8	1	
12	87000446280	87000446280	1	
13	82000637280	82000637280	2	
14	91-YG-0002	91-YG-0002	0.2	
15	87000427270	87000427270	1	
16	91-276-6917ZZ-NSK	91-276-6917ZZ-NSK	1	
17	91-70.1-1030-1	91-70.1-1030-1	4	
18	91-93-10-1	91-93-10-1	4	
19	91-848-10-2	91-848-10-2	4	
20	91-5783-0620-1	91-5783-0620-1	6	
21	87000450100	87000450100	1	
22	92-42 0008-06	92-42 0008-06	1	
23	91-NLX-0001	91-NLX-0001	0.11	
25	87000361120	87000361120	1	
26	91-70.1-0520-1	91-70.1-0520-1	8	
27	87000421280	87000421280	1	
28	91-70.1-0445-1	91-70.1-0445-1	8	
29	87000422280	87000422280	1	
30	91-70.3-0510-1	91-70.3-0510-1	6	
31	91-QG-0009	91-QG-0009	0.9	
32	87000417400	87000417400	1	
33	91-93-04-1	ZHD1021	4	
34	91-5783-0408-1	91-5783-0408-1	4	
35	87000452150	87000452150	1	
36	91-97.1-03-2	91-97.1-03-2	4	
37	91-93-03-1	91-93-03-1	4	
38	91-70.1-0308-1	91-70.1-0308-1	4	
39	87000453150	87000453150	1	
40	82000109270	ZPT1084	1	

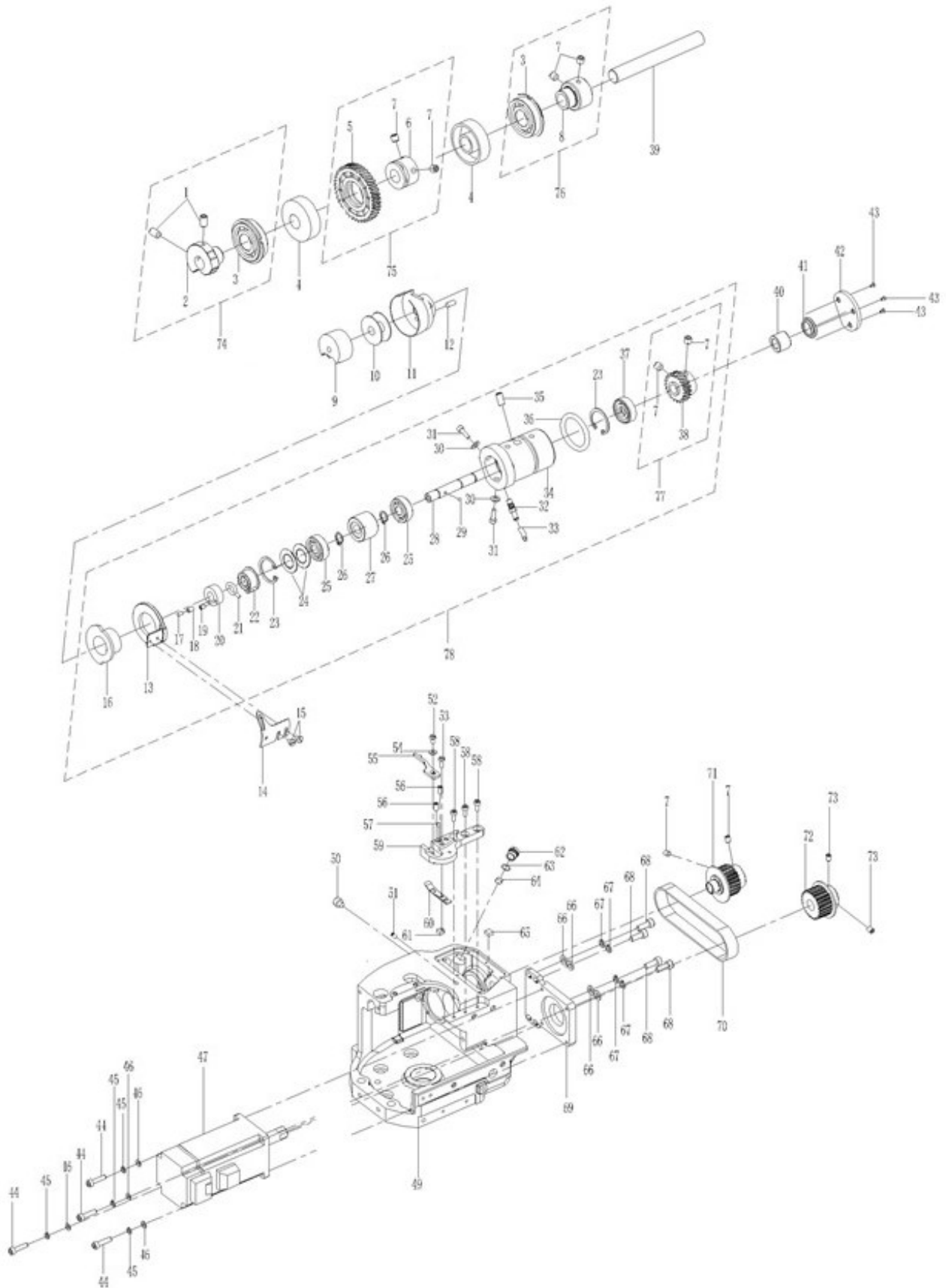
18. Thread Cutter Drive



18. Thread Cutter Drive

Number	Part Number	New #	Quantity	Notes
1	82000515200	ZHD1056	1	
2	91-70.1-0412-1	ZHD1057	1	
3	82000520150	ZPT1097	1	
4	82000524150	ZPT1098	1	
5	82000523110	ZPT1206	1	
6	82000525170	ZHD1058	1	
7	91-290-HK0509-INA	ZPT1139	1	
8	82000522110	ZPT1138	1	
9	91-70.1-0408-3	ZHD1054	2	
10	91-70.1-0610-3	ZHD1059	2	
11	87000402005	87000402005	1	
12	82000518120	ZPT1209	1	
13	82000517120	ZPT1210	1	
14	82000511003	ZPT1211	1	
15	82000513110	82000513110	1	
16	82000512150	82000512150	1	
17	82000514110	82000514110	1	
18	93-23 0003-005	ZPT1068	1	
19	82000510260	82000510260	1	
20	82000509110	82000509110	1	
21	82000509160	82000509160	1	
22	93-23 0003	93-23 0003	1	
23	82000519004	82000519004	1	
24	82000582004	82000582004	1	
25	82001176400	82001176400	2	
26	91-93-06-1	ZHD1023	2	
27	91-97.1-06-2	91-97.1-06-2	2	

19. Sew Base Assembly



19. Sew Base Assembly

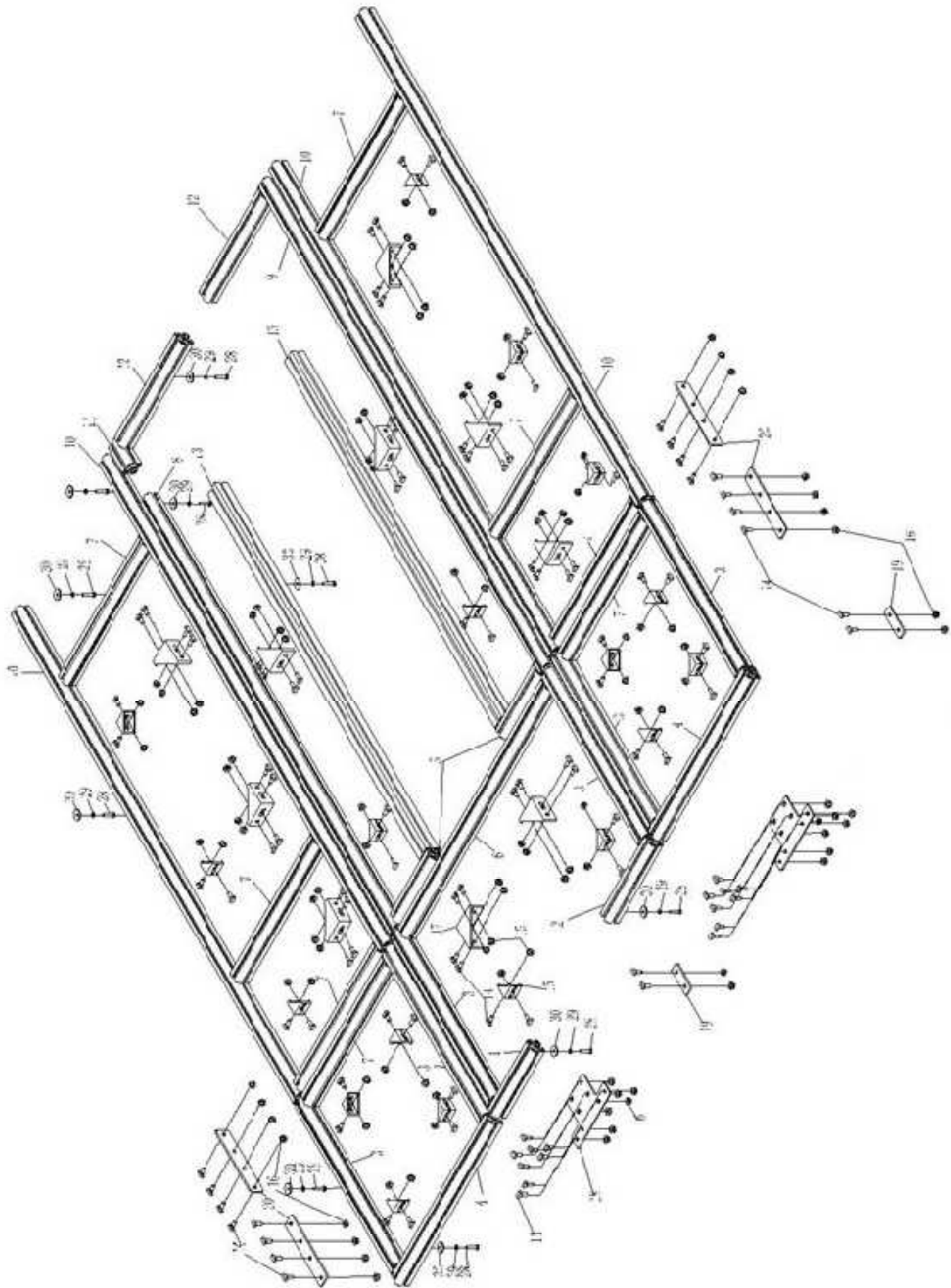
Number	Part Number	New #	Quantity	Notes
1	82000134070	82000134070	2	
2	82000133290	ZPT1164	1	
3	91-276-6202ZZNR- NSK	91-276-6202ZZNR- NSK	2	
4	82000135270	ZPT1166	2	
5	82000624230	82000624230	1	
6	82000625120	82000625120	1	
7	82000124170	ZHD1042	8	
8	82000131120	ZPT1167	1	
9	94-31-DBM4-DH	ZPT1071	1	
10	82000605140	82000605140	1	
11	94-30 DSH2- AHTR(MBJ)-DY	94-30 DSH2- AHTR(MBJ)-DY	1	
12	82000655220	ZPT1168	1	
13	82000611280	ZPT1169	1	
14	82000505150	ZPT1099	1	
15	82000506170	ZPT1100	2	
16	82000609280	ZPT1170	1	
17	82000614220	ZPT1171	1	
18	82000650260	ZPT1172	1	
19	82000652170	ZPT1173	1	
20	82000616290	82000616290	1	
21	82000616220	ZPT1175	1	
22	82000615260	82000615260	1	
23	91-893.1-2201	ZHD1046	2	
24	82000619200	ZPT1177	2	
25	91-276-608-ZZ-NSK	91-276-608-ZZ-NSK	1	
26	91-894.1-08-1	ZHD1030	2	
27	82000620120	ZPT1179	1	
28	82000621110	ZPT1180	1	
29	82000613400	ZPT1181	1	
30	82000610200	ZHD1047	2	
31	91-70.1-0310-1	ZHD1048	2	
32	82000618260	ZPT1182	1	
33	82000617280	ZPT1183	1	
34	87000459120	87000459120	1	
35	91-77-0512-1	ZHD1017	1	
36	82000608270	ZPT1185	1	
37	82000622270	ZPT1186	1	
38	82000623230	ZPT1187	1	
39	87000404110	87000404110	1	
40	87000460120	87000460120	1	
41	87000461270	87000461270	1	
42	87000462150	87000462150	1	
43	91-70.3-0308-1	91-70.3-0308-1	3	
44	91-70.1-0520-1	91-70.1-0520-1	4	
45	91-93-05-1	ZHD1022	4	

46	91-97.1-05-2	91-97.1-05-2	4	
47		LSM60C-C2	1	Servo Motor
49	87000451100	87000451100	1	
50	82000198170	82000198170	1	
51	91-77-0510-1	91-77-0510-1	1	
52	91-65-0408-1	ZHD1040	1	
53	82000503170	ZPT1096	1	
54	91-97.1-04-2	91-97.1-04-2	1	
55	82000600280	ZPT1101	1	
56	91-77-0404-1	ZHD1015	2	
57	82000504110	ZPT1188	1	
58	91-70.1-0410-1	91-70.1-0410-1	3	
59	87000437280	87000437280	1	
60	82000501150	ZPT1094	1	
61	82000502110	ZPT1095	1	
62	82000142290	ZPT1189	1	
63	82000143270	ZPT1190	1	
64	87000463290	87000463290	1	
65	82001023400	82001023400	1	
66	91-97.1-06-2	91-97.1-06-2	4	
67	91-93-06-1	ZHD1023	4	
68	91-70.1-0616-1	91-70.1-0616-1	4	
69	87000436280	87000436280	1	
70	87000406240	87000406240	1	
71	87000405230	87000405230	1	
72	87000407230	87000407230	1	
73	91-77-0505-1	91-77-0505-1	2	
74	82005104293	82005104293	1	
75	82000624234	ZPT1103	1	
76	82000131123	82000131123	1	
77	82000623233	82000623233	1	
78	87000459124	87000459124	1	
		LAC-AAA401	1	Motor Power Cable
		LEC-AAA401	1	Encoder Cable

20. Hook Oiling Assembly

Number	Part Number	New #	Quantity	
1	82000139170	82000139170	2	
2	82000137290	82000137290	1	
3	91-70.3-0408-1	ZHD1055	7	
4	87000442150	87000442150	1	
5	82000637280	82000637280	2	
6	91-70.1-0410-1	91-70.1-0410-1	2	
7	82000633170	82000633170	1	
8	82000634260	82000634260	1	
9	82000635280	82000635280	1	
10	82000636160	82000636160	1	
11	91-70.1-0412-1	ZHD1057	2	
12	91-93-04-1	ZHD1021	4	
13	91-97.1-04-2	91-97.1-04-2	6	
14	91-3452.1-041.8	91-3452.1-041.8	2	
15	82000627263	82000627263	1	
16	82000628280	82000628280	2	
17	82000629260	ZPT1202	1	
18	82005607270	82005607270	1	
19	87000458400	87000458400	1	
20	82005608270	82005608270	3	
21	91-70.1-0410-1	91-70.1-0410-1	2	
30	82000437150	82000437150	2	
31	91-70.1-0410-3-05	91-70.1-0410-3-05	2	
32	82000174263	82000174263	1	
33	91-70.1-0416-1	91-70.1-0416-1	2	
34	91-70.3-0308-1	91-70.3-0308-1	6	
35	87000439150	87000439150	1	
36	87000438270	87000438270	1	
37	82000164260	82000164260	3	
38	82000163260	82000163260	3	
39	91-70.2-0510-3	91-70.2-0510-3	3	
40	82000109270	ZPT1084	1	
41	87000430280	87000430280	1	
42	91-3452.1-35.51.8	91-3452.1-35.51.8	1	
43	91-3452.1-051.8	91-3452.1-051.8	1	
44	91-70.1-0530-1	91-70.1-0530-1	1	
45	93-42 0001-0005	93-42 0001-0005	1	
46	87000428280	87000428280	1	
47	87000435150	87000435150	1	
48	91-70.1-0820-1	91-70.1-0820-1	5	
49	91-93-08-1	91-93-08-1	5	
50	91-97.1-08-2	91-97.1-08-2	5	
51	82000632280	82000632280	1	
52	87000440150	87000440150	1	
53	82000632004	82000632004	1	
54	82000626263	ZPT1201	1	

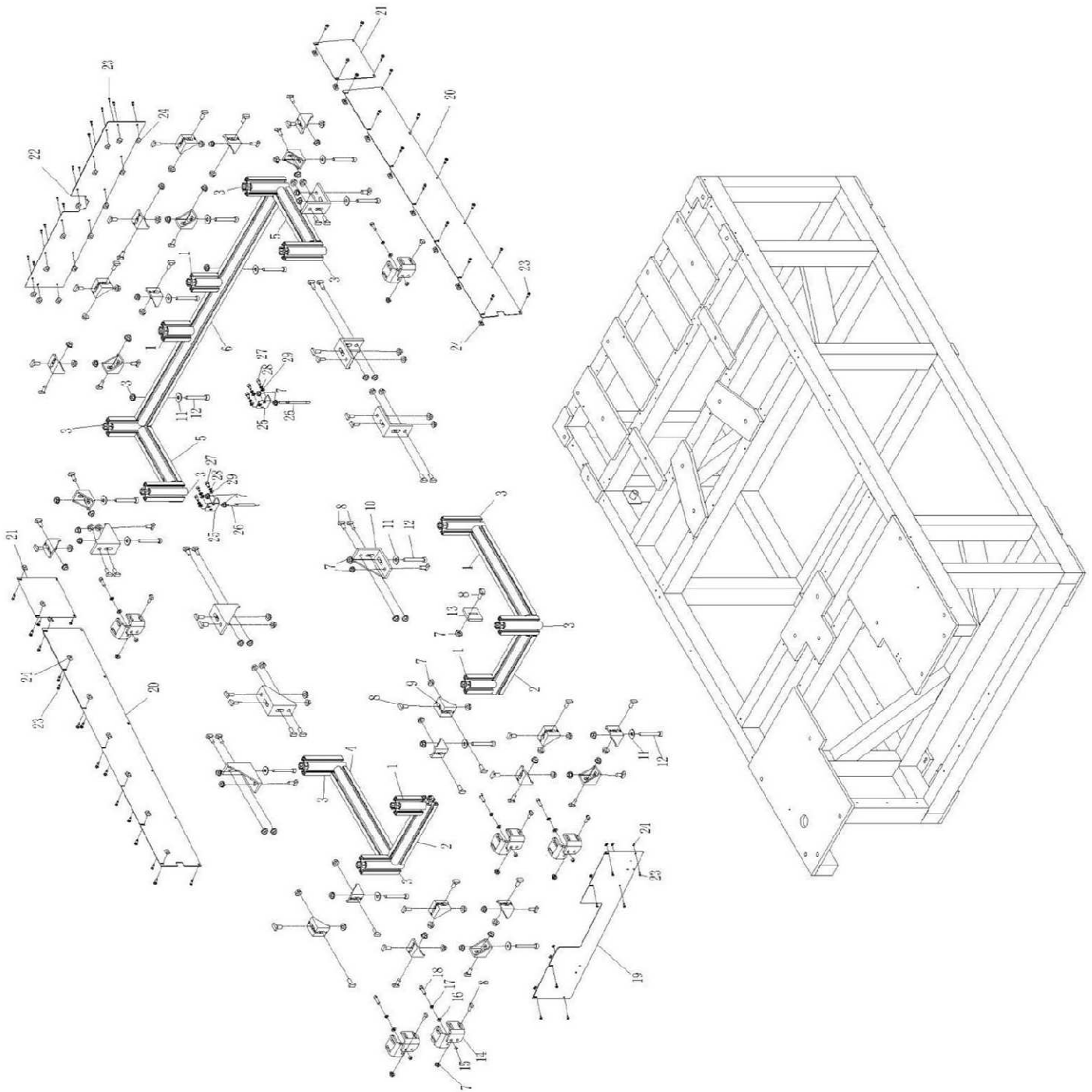
21. Table Subframe Assembly



21. Table Subframe Assembly

Number	Part Number	New #	Quantity	Notes
1	87000697300	87000697300	1	
2	87000698300	87000698300	1	
3	87000699300	87000699300	6	
4	87000691300	87000691300	2	
5	87000680300	87000680300	2	
6	87000696300	87000696300	1	
7	87000689300	87000689300	8	
8	87000681300	87000681300	1	
9	87000682300	87000682300	1	
10	87000688300	87000688300	4	
11	87000686300	87000686300	1	
12	87000685300	87000685300	2	
13	87000683300	87000683300	2	
14	82001015170	82001015170	112	
15	82001040280	82001040280	18	
16	82001016180	82001016180	112	
17	82001014280	82001014280	10	
18	87005604150	87005604150	2	
19	87000694150	87000694150	2	
20	82001059150	82001059150	4	
22	82001068180	82001068180	4	
23	91-97.1-04-2	91-97.1-04-2	4	
24	91-818-0410-3-05	91-818-0410-3-05	4	
28	82006027170	82006027170	129	
29	91-848-04-2	ZHD1020	129	
30	82001020270	82001020270	129	

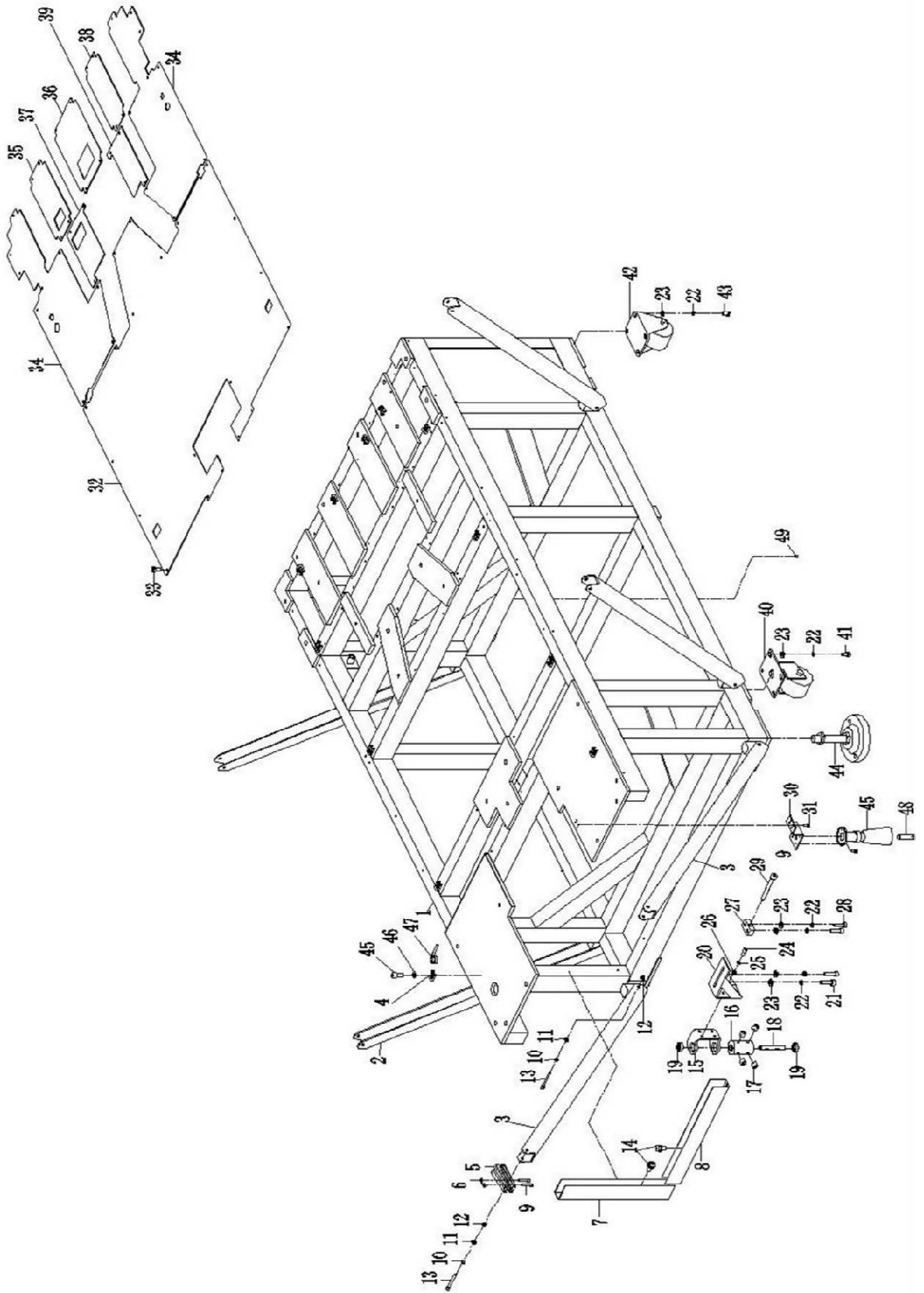
22. Table Subframe Support Structure



22. Table Subframe Support Structure

Number	Part Number	New #	Quantity	Notes
1	87000675300	87000675300	4	
2	87000673300	87000673300	2	
3	87000674300	87000674300	8	
4	87000676300	87000676300	2	
5	87000678300	87000678300	2	
6	87000677300	87000677300	1	
7	82001016180	82001016180	122	
8	82001015170	82001015170	102	
9	82001040280	82001040280	24	
10	82001014280	82001014280	8	
11	91-96.1-08-2	91-96.1-08-2	16	
12	91-70.1-0870-1	91-70.1-0870-1	16	
13	87005608150	87005608150	6	
14	87005607150	87005607150	12	
15	91-889.1-06-2	91-889.1-06-2	6	
16	91-97.1-06-2	91-97.1-06-2	6	
17	91-93-06-1	ZHD1023	6	
18	91-70.1-0620-1	ZHD1041	6	
19	87005615260	87005615260	1	
20	87005614260	87005614260	2	
21	87005612260	87005612260	2	
22	87005613260	87005613260	1	
23	91-818-0410-3-05	91-818-0410-3-05	57	
24	82001068180	82001068180	39	
25	87005610150	87005610150	2	
26	83000725110	83000725110	2	
27	91-70.1-0816-1	91-70.1-0816-1	2	
28	91-97.1-08-2	91-97.1-08-2	2	
29	91-93-08-1	91-93-08-1	2	

23. Subframe Components

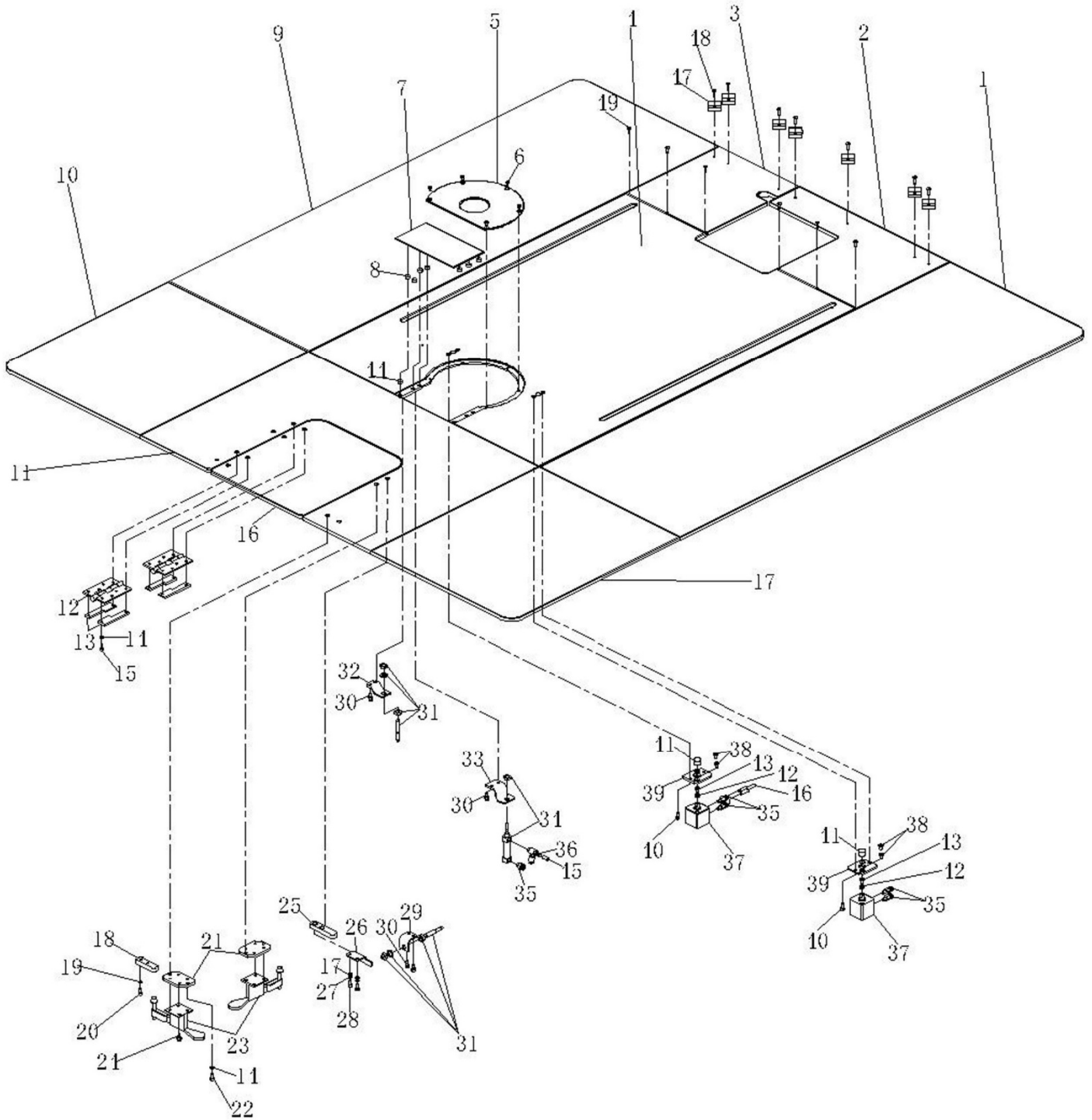


23. Subframe Components

Number	Part Number	New #	Quantity	Notes
1	87000661293	87000661293	1	
2	83000780150	83000780150	4	
3	87005609150	87005609150	2	
4	82000163260	82000163260	12	
5	83000778300	83000778300	6	
6	87005623180	87005623180	12	
7	91-KXC-2550	91-KXC-2550	0.345	
8	91-KXC-2550	91-KXC-2550	0.348	
9	91-70.1-0630-1	91-70.1-0630-1	12	
10	91-93-06-1	ZHD1023	12	
11	91-97.1-06-2	91-97.1-06-2	12	
12	91-889.1-06-2	91-889.1-06-2	12	
13	91-70.1-0650-1	91-70.1-0650-1	12	
14	91-818-0408-3-05	91-818-0408-3-05	6	
15	87000365150	87000365150	1	
16	87000367260	87000367260	1	
17	91-77-0606-1	ZHD1018	4	
18	87000366110	87000366110	1	
19	91-276-6901ZZ-NSK	91-276-6901ZZ-NSK	2	
20	87005616150	87005616150	1	
21	91-70.1-0816-1	91-70.1-0816-1	2	
22	91-93-08-1	91-93-08-1	2	
23	91-97.1-08-2	91-97.1-08-2	2	
24	91-70.1-0512-1	ZHD1011	4	
25	91-93-05-1	ZHD1022	4	
26	91-97.1-05-2	91-97.1-05-2	4	
27	87000344290	87000344290	1	
28	91-70.1-0830-1	91-70.1-0830-1	2	
29	91-70.1-1060-1	91-70.1-1060-1	1	
30	87005611150	87005611150	1	
31	91-70.1-0410-3-05	91-70.1-0410-3-05	4	
32	87000666260	87000666260	1	
33	91-29.2-0408-3-05	91-29.2-0408-3-05	56	
34	87000667260	87000667260	2	
35	87000670260	87000670260	1	
36	87000671260	87000671260	1	
37	87000668260	87000668260	1	
38	87000672260	87000672260	1	
39	87000669260	87000669260	1	
40	87006721400	87006721400	2	
41	91-5781-0816-1	91-5781-0816-1	8	
42	87006722400	87006722400	2	
43	91-5781-0816-1	91-5781-0816-1	8	
44	87006720400	87006720400	6	
45	91-70.2-0410-3	91-70.2-0410-3	12	
46	91-97.1-04-2	91-97.1-04-2	12	
47	82000164260	82000164260	12	

48	91-YG-0003	91-YG-0003	0.2	
49	82000110270	ZPT1085	1	

24. Tabletop Components

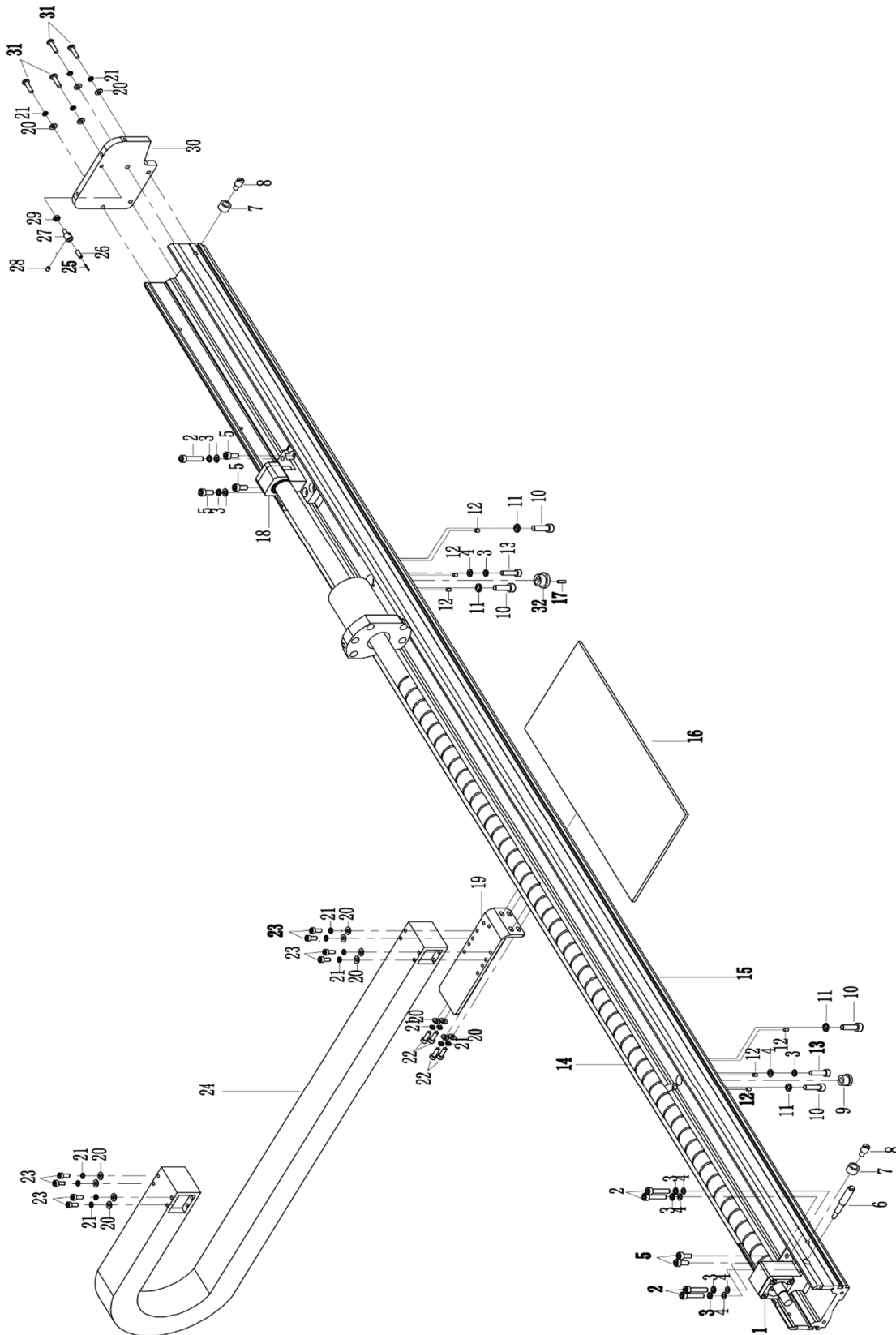


24. Tabletop Components

Number	Part Number	New #	Quantity	Notes
1	87000693310	87000693310	1	
2	87000684310	87000684310	1	
3	87005621310	87005621310	1	
4	87000679310	87000679310	1	
5	87005618260	87005618260	1	
6	91-70.3-0508-1	91-70.3-0508-1	5	
7	87005617260	87005617260	1	
8	87006724150	87006724150	7	
9	87000687310	87000687310	1	
10	87000690300	87000690300	1	
11	87000695310	87000695310	1	
12	82006038290	82006038290	2	
13	82006036290	82006036290	1	
14	91-97.1-05-2	91-97.1-05-2	12	
15	91-70.1-0516-1	91-70.1-0516-1	8	
16	87005601310	87005601310	1	
17	87005614260	87005614260	1	
18	82006035290	82006035290	1	
19	91-97.1-04-2	91-97.1-04-2	4	
20	91-70.1-0410-1	91-70.1-0410-1	2	
21	82006034290	82006034290	2	
22	91-70.1-0512-1	ZHD1011	4	
23	82006037290	82006037290	2	
24	91-70.1-0408-3-05	91-70.1-0408-3-05	8	
25	82007052290	82007052290	1	
26	87005603150	87005603150	1	
27	91-93-05-1	ZHD1022	2	
28	91-70.1-0420-1	91-70.1-0420-1	2	
29	87005602150	87005602150	1	
30	91-70.1-0412-3-05	91-70.1-0412-3-05	6	
31	93-30 0002-08	93-30 0002-08	2	
32	87005606150	87005606150	1	
33	87005605150	87005605150	1	
34	92-32 0017-1010	92-32 0017-1010	1	
35	92-42 0003-0405	92-42 0003-0405	5	
36	92-42 0002-0405	92-42 0002-0405	1	
37	92-31 0027-2005	92-31 0027-2005	2	
38	91-70.3-0516-1	91-70.3-0516-1	4	
39	82006099150	82006099150	2	
40	91-70.1-0510-1	91-70.1-0510-1	4	
41	83010737260	83010737260	2	
42	83010738110	83010738110	2	
43	91-70.3-0410-1	ZHD1014	2	
44	82001023400	82001023400	6	
45	91-QG-0008	91-QG-0008	14.5	
46	92-42 0068-0404	92-42 0068-0404	2	
47	82007059180	82007059180	7	

48	91-65-0420-3	91-65-0420-3	7	
49	91-65-0412-3	91-65-0412-3	6	

25. X-Axis Ball Screw Assembly



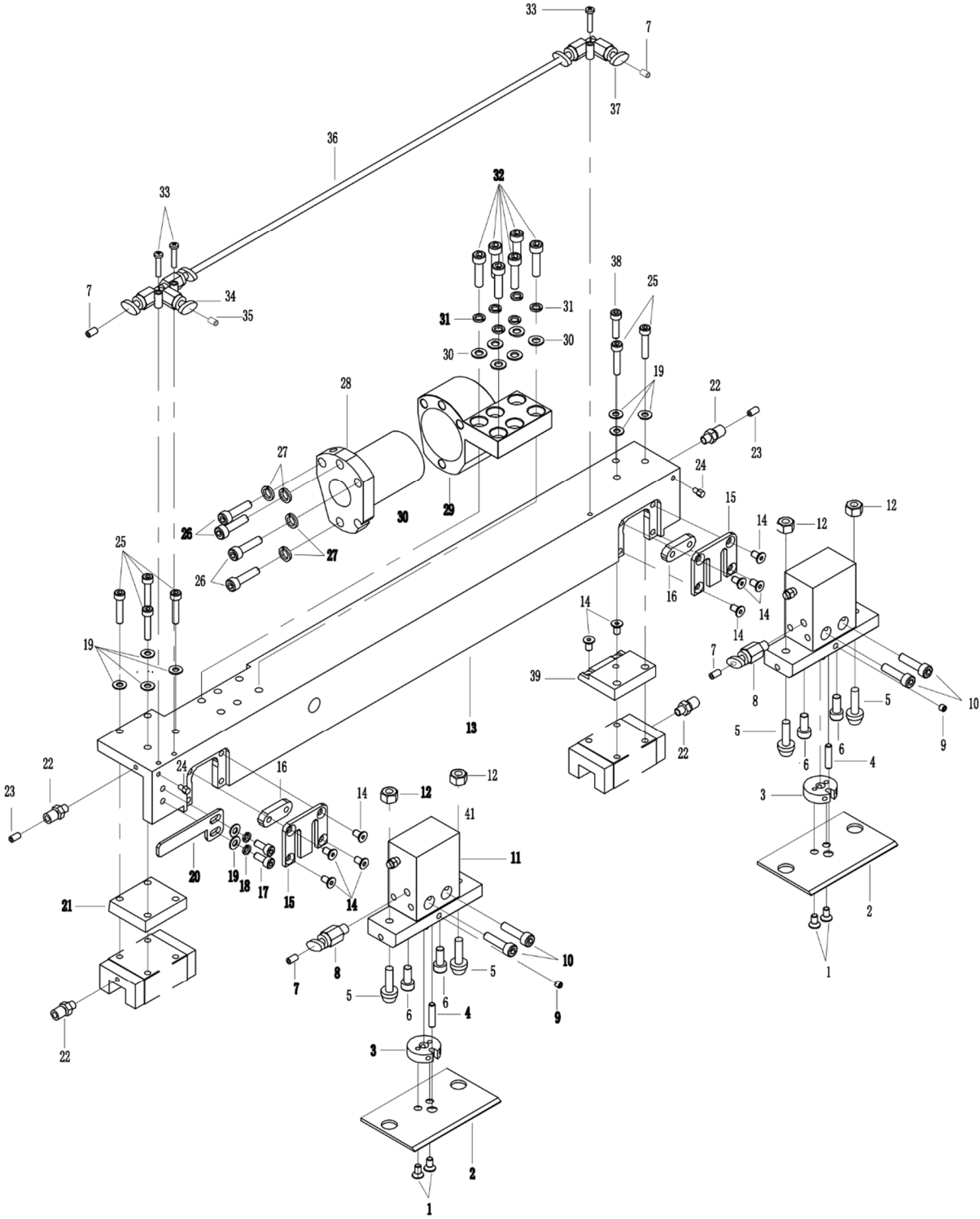
25. X-Axis Ball Screw Assembly

Number	Part Number	New #	Quantity	Notes
1	82000707005	82000707005	1	
2	91-70.1-0525-1	ZHD1012	5	
3	91-93-05-1	ZHD1022	7	
4	91-848-05-0	ZHD1043	7	
5	91-70.1-0512-1	ZHD1011	5	
6	93-300002-08	93-300002-08	1	
7	82000731260	82000731260	2	
8	82000732170	82000732170	2	
9	82000704120	82000704120	1	
10	91-70.1-0620-1	ZHD1041	8	
11	91-93-06-1	ZHD1023	8	
12	82000761260	82000761260	6	
13	91-70.1-0520-1	91-70.1-0520-1	2	
14	82000747005	82000747005	1	
14.1	82000766005	82000766005	1	
15	82000765300	82000765300	1	
15.1	82000782300	82000782300	1	
16			1	
17	82000750110	82000750110	1	
18	82000714005	82000714005	1	
19	82000761290	82000761290	1	
20	91-97.1-04-0	ZHD1024	16	
21	91-93-04-1	ZHD1021	16	
22	91-70.1-0412-3	ZHD1053	4	
23	91-70.1-0410-3	ZHD1049	8	
24	82000762260	82000762260	1	
25	82000735400	82000735400	1	
26	92-410019-042.5	92-410019-042.5	1	
27	82000734110	82000734110	1	
28	91-77-0405-1	91-77-0405-1	1	
29	91-6170-04-0	91-6170-04-0	1	
30	82000733280	82000733280	1	
31	91-818-0416-3	91-818-0416-3	4	
32	82000705120	82000705120	1	

26. X-Axis Motor Assembly

Number	Part Number	New #	Quantity	Notes
1	91-70.1-0420-1	91-70.1-0420-1	8	
2	91-93-04-1	ZHD1021	10	
3	91-818-04-0	91-818-04-0	8	
4	ESM80K-C2	LSM60C-C2	1	Servo Motor
5	LEC-AAA401	LEC-AAA401	1	Encoder Cable
6	LAC-AAA401	LAC-AAA401	1	Motor Power
7	91-70.1-0412-3	ZHD1053	4	
8		ZHD1009	4	
9		ZHD1022	4	
10		ZHD1025	4	
11		ZPT1317	1	
12	91-77-0405-1	91-77-0405-1	1	
13	82000734110	82000734110	1	
14	91-6170-04-0	91-6170-04-0	1	
15	82-410022-042.5	82-410022-042.5	1	
16	92-420001-0405	ZPT1134	2	
17		ZPT1321	1	
18	82000701290	82000701290	1	
19	91-70.1-0412-1	ZHD1057	1	
20	82000161150	82000161150	1	
21	91-97.1-04-0	ZHD1024	1	
22	91-818-0410-3	ZHD1076	1	
23	LSM60C-C2	LSM60C-C2	1	

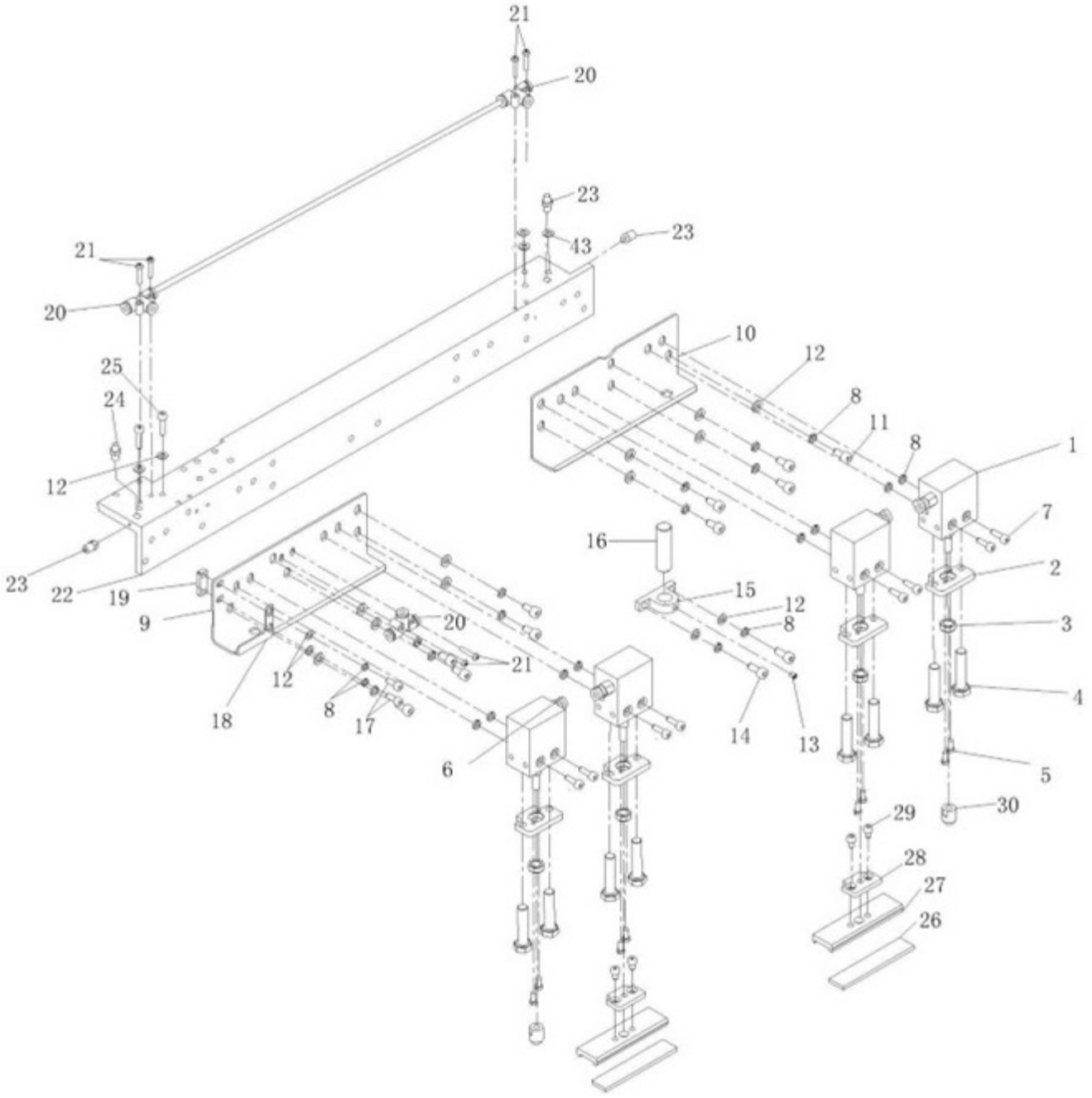
27. X-Axis Carriage Assembly



27. X-Axis Carriage Assembly

Number	Part Number	New #	Quantity	Notes
1	91-70.3-0408-0	ZHD1013	4	
2	82000760290	ZPT1216	2	
3	82000758290	82000758290	2	
4	82000759290	ZPT1214	2	
5	82000575290	ZPT1215	4	
6	91-70.1-0512-1	ZHD1011	4	
7	92-410004-042.5	92-410004-042.5	2	
8	92-420003-0504	ZPT1191	2	
9	91-77-0404-1	ZHD1015	2	
10	91-70.1-0525-3	91-70.1-0525-3	4	
11	92-310002-2005	ZPT1212	2	
12	91-41-06-3	91-41-06-3	4	
13	82000745300	82000745300	1	
14	91-70.3-0408-1	ZHD1055	10	
15	82000723290	82000723290	2	
16	82000724290	82000724290	2	
17	91-70.1-0410-3	ZHD1049	2	
18	91-93-04-1	ZHD1021	2	
19	91-97.1-04-0	ZHD1024	9	
20	82000748290	82000748290	1	
21	82000721290	82000721290	1	
22	92-420006-0304	92-420006-0304	4	
23	82000752300	82000752300	2	
24	92-420008-06	92-420008-06	2	
25	91-70.1-0422-1	91-70.1-0422-1	6	
26	91-70.1-0620-1	ZHD1041	4	
27	91-97.1-05-0	ZHD1025	4	
28	82000712120	82000712120	1	
29	82000713290	82000713290	1	
30	91-97.1-05-0	ZHD1025	6	
31	91-93-06-1	ZHD1023	6	
32	91-70.1-0520-1	91-70.1-0520-1	6	
33	91-818-0316-3	91-818-0316-3	3	
34	92-420005-0404	92-420005-0404	1	
35	92-410006-042.5	92-410006-042.5	1	
36	92-410018-042.5	92-410018-042.5	1	
37	92-420004-0404	92-420004-0404	1	
38	91-70.1-0416-1	91-70.1-0416-1	1	
39	82000720290	82000720290	1	

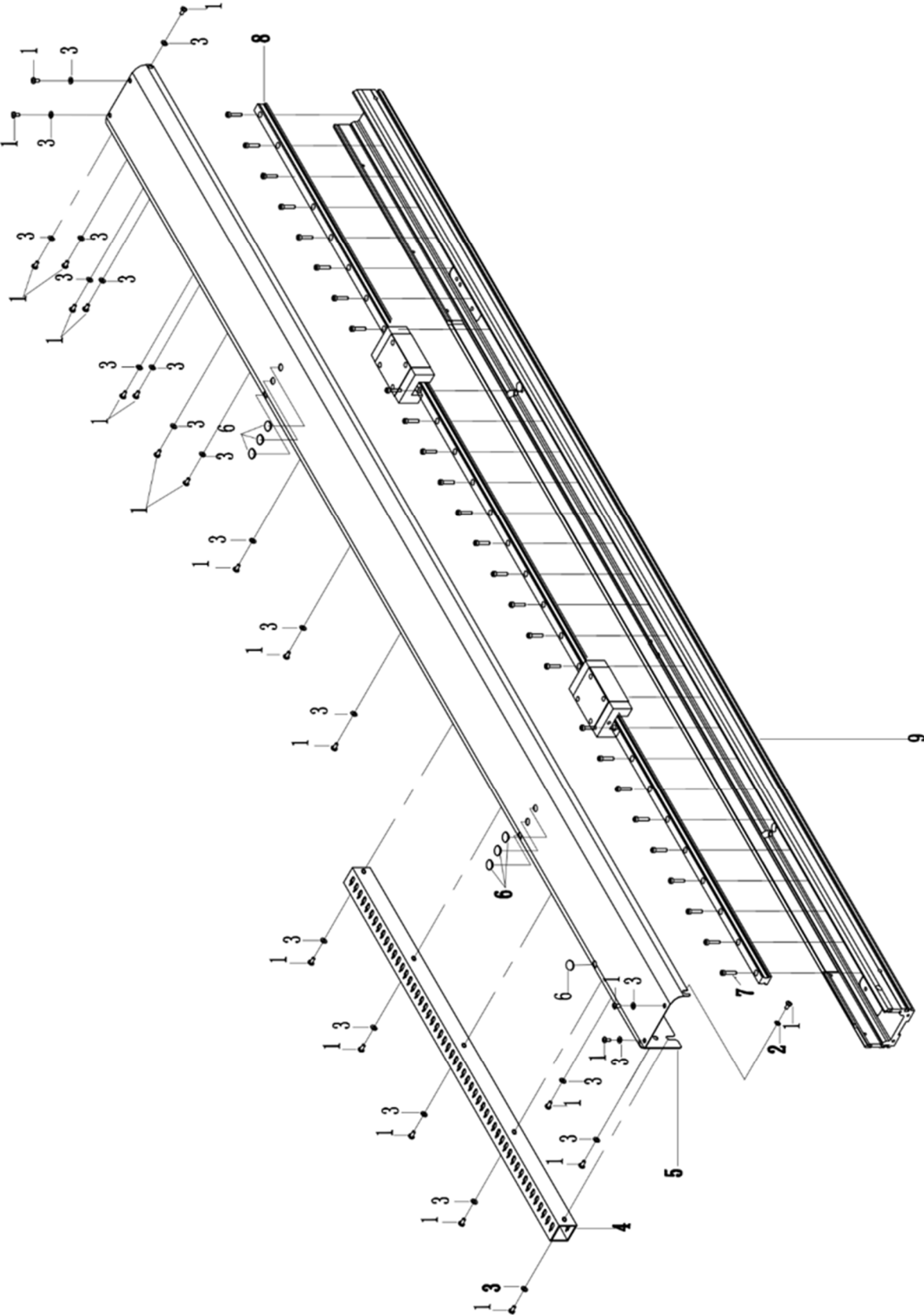
27.1 X-Axis Carriage Assembly – Pin Style



27.1 X-Axis Carriage Assembly – Pin Style

Number	Part Number	New #	Quantity	Notes
1	92-31 0033-2010	92-31 0033-2010	4	
2	82005720150	82005720150	4	
3	82005725120	82005725120	4	
4	91-5783-0512-1	91-5783-0512-1	8	
5	91-65-0305-1	91-65-0305-1	8	
6	92-420003-0405	92-420003-0405	4	
7	91-70.1-0525-1	ZHD1012	8	
8	91-93-05-1	ZHD1022	22	
9	82005716150	82005716150	1	
10	82005717150	82005717150	1	
11	91-70.1-0510-1	91-70.1-0510-1	2	
12	91-97.1-05-2	91-97.1-05-2	16	
13	91-77-0405-1	91-77-0405-1	1	
14	91-70.1-0512-1	ZHD1011	2	
15	83006537280	83006537280	1	
16	83006536110	83006536110	1	
17	91-70.1-0410-3	ZHD1049	2	
18	82005719150	82005719150	1	
19	82005718280	82005718280	1	
20	92-420023-0400	92-420023-0400	3	
21	91-818-0316-3	91-818-0316-3	6	
22	82005715300	82005715300	6	
23	92-420008-06	92-420008-06	2	
24	92-420006-0304	92-420006-0304	2	
25	91-70.1-0416-1	91-70.1-0416-1	2	
26	83000596270	83000596270	2	
27	82005722150	82005722150	2	
28	82005721280	82005721280	2	
29	91-70.1-0406-1	91-70.1-0406-1	4	
30	83000544290	83000544290	2	

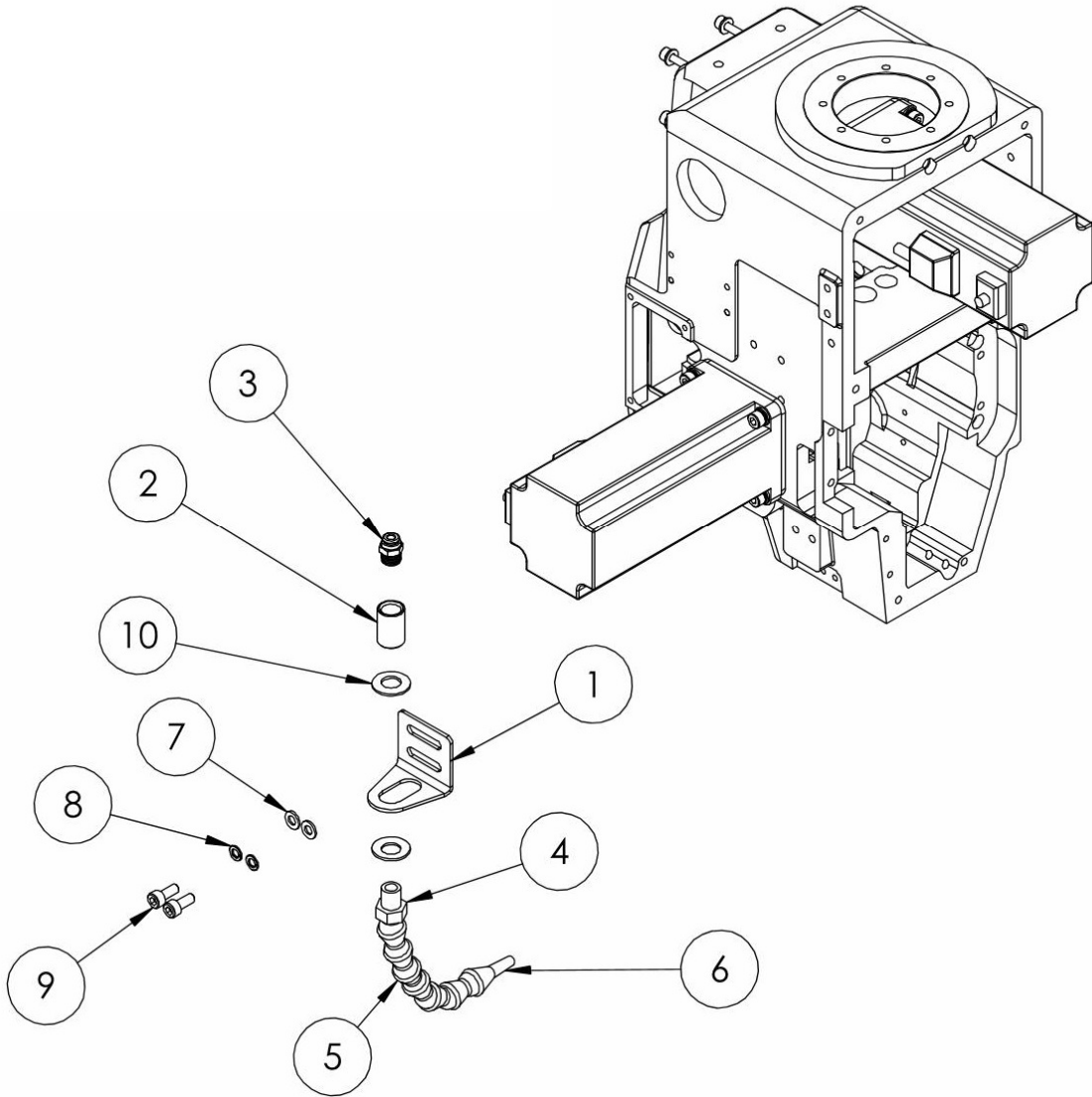
28. X-Axis Bearing Rail Assembly



28. X-Axis Bearing Rail Assembly

Number	Part Number	New #	Quantity	Notes
1	91-818-0408-3	ZHD1075	24	
2	91-848-04-0	91-848-04-0	1	
3	91-97.1-04-0	ZHD1024	23	
4	8200079260	8200079260	1	
5	82000736150	82000736150	1	
6	82000739270	ZPT1104	7	
7	91-70.1-0420-1	91-70.1-0420-1	26	
8	82000718005	82000718005	1	
9	82000746003	82000746003	1	

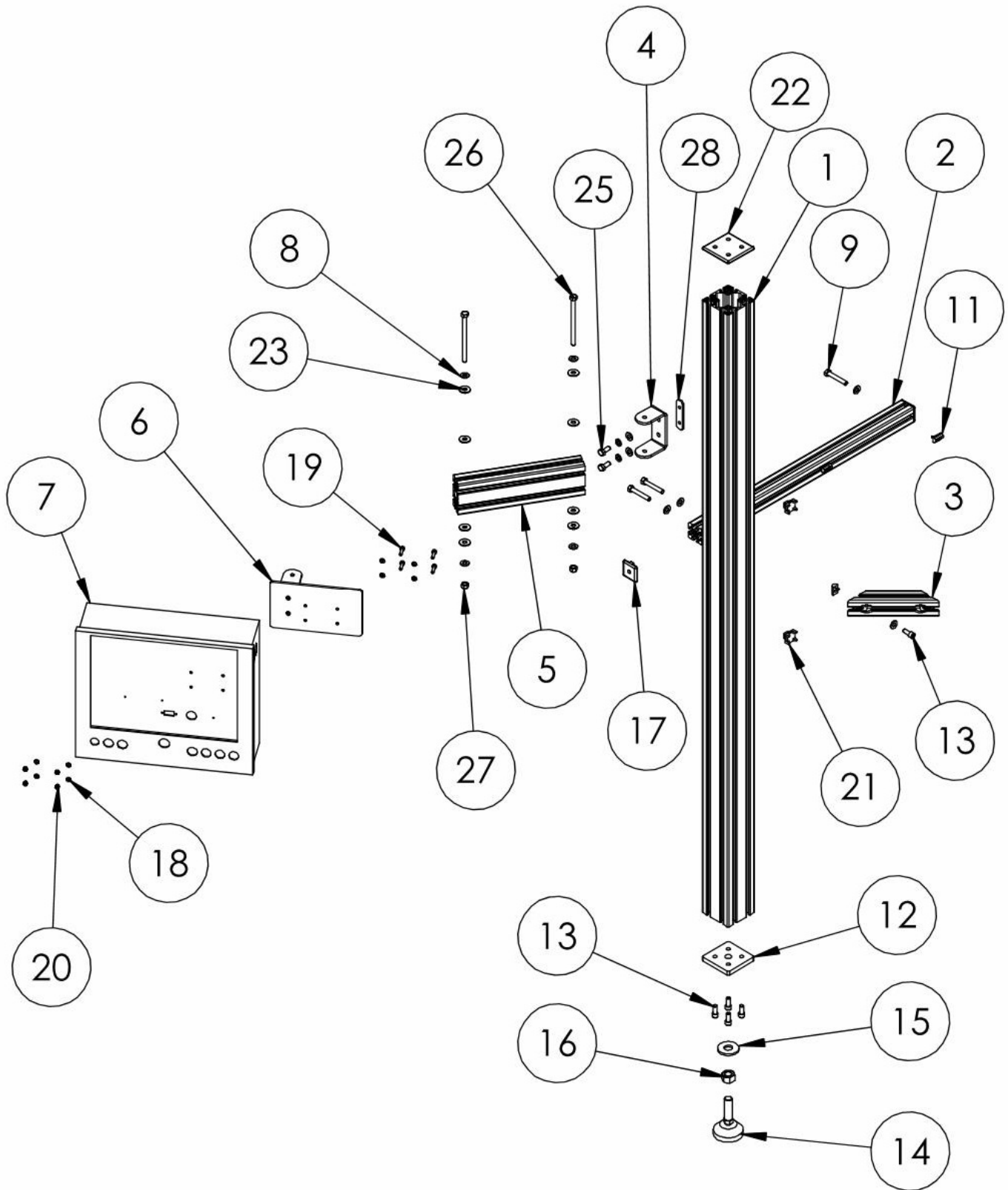
29. Needle Cooler



29. Needle Cooler

Number	Part Number	New #	Quantity	Notes
1		ZPT1006	1	
2		ZPT1005	1	
3		ZPT1002	1	
4		ZPT1004	1	
5		ZPT1081	1	
6		ZPT1082	1	
7		ZHD1025	2	
8		ZHD1022	2	
9		ZHD1011	2	
10		ZHD1094	2	

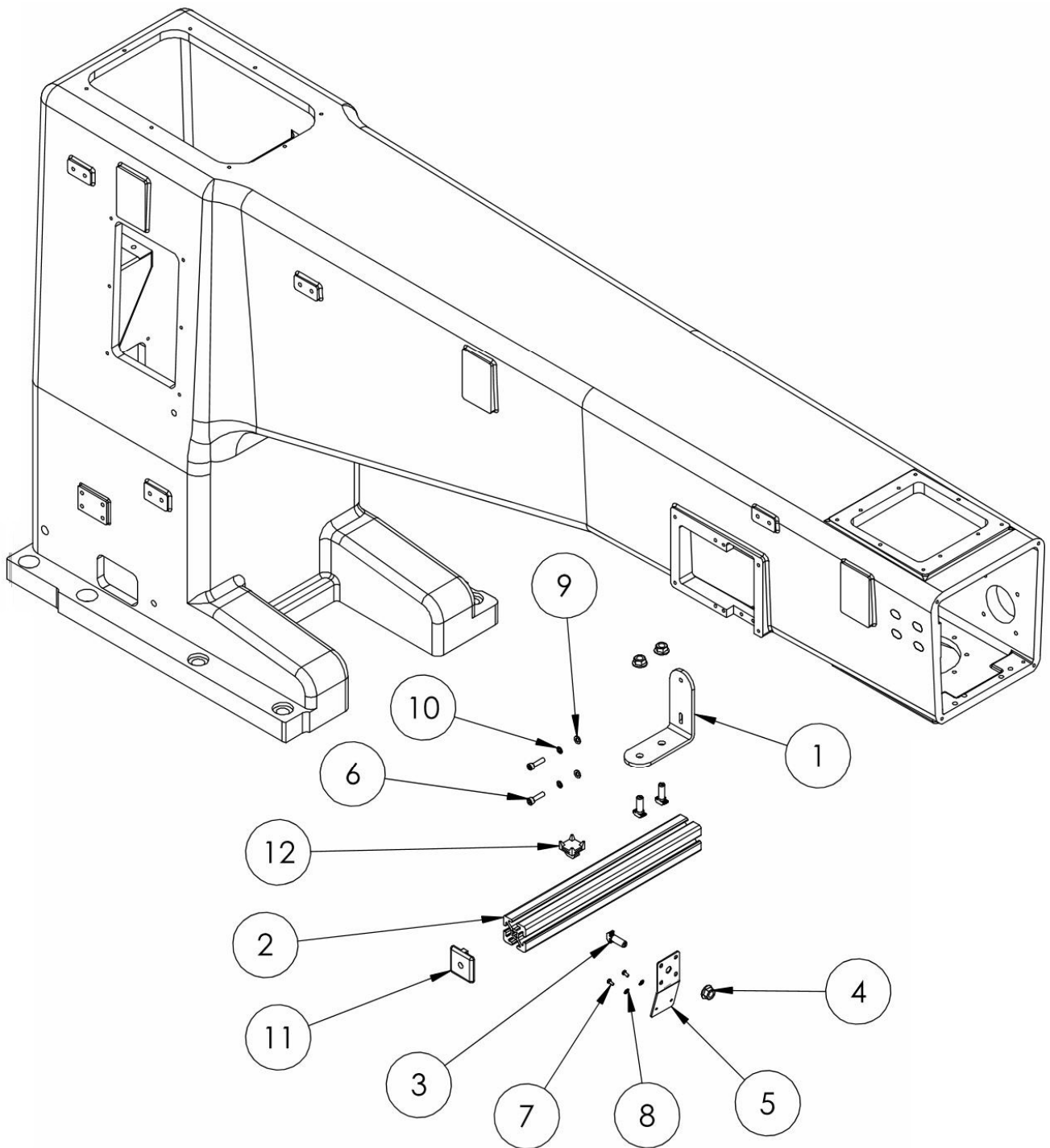
30. Pendant Assembly



30. Pendant Assembly

Number	Part Number	New #	Quantity	Notes
1		ZPT1298	1	
2		ZPT1299	1	
3		ZPT1300	1	
4		PRT1483	1	
5		PRT1492	1	
6		ZPT1295	1	
7		AC-100734 V2	1	
8		HDW1065	12	
9		HDW1053	4	
10		HDW1161	2	
11		HDW1163	4	
12		ZPT1296	1	
13		HDW1060	6	
14		PRT1602	1	
15		HDW1224	1	
16		HDW1225	1	
17		PRT1471	2	
18		ZHD1025	8	
19		ZHD1044	4	
20		ZHD1067	4	
21		ELE1004	2	
22		ZPT1303	1	
23		HDW1198	8	
24		HDW1066	2	
25		HDW1049	2	
26		HDW1058	2	
27		HDW1068	2	
28		HDW1162	1	

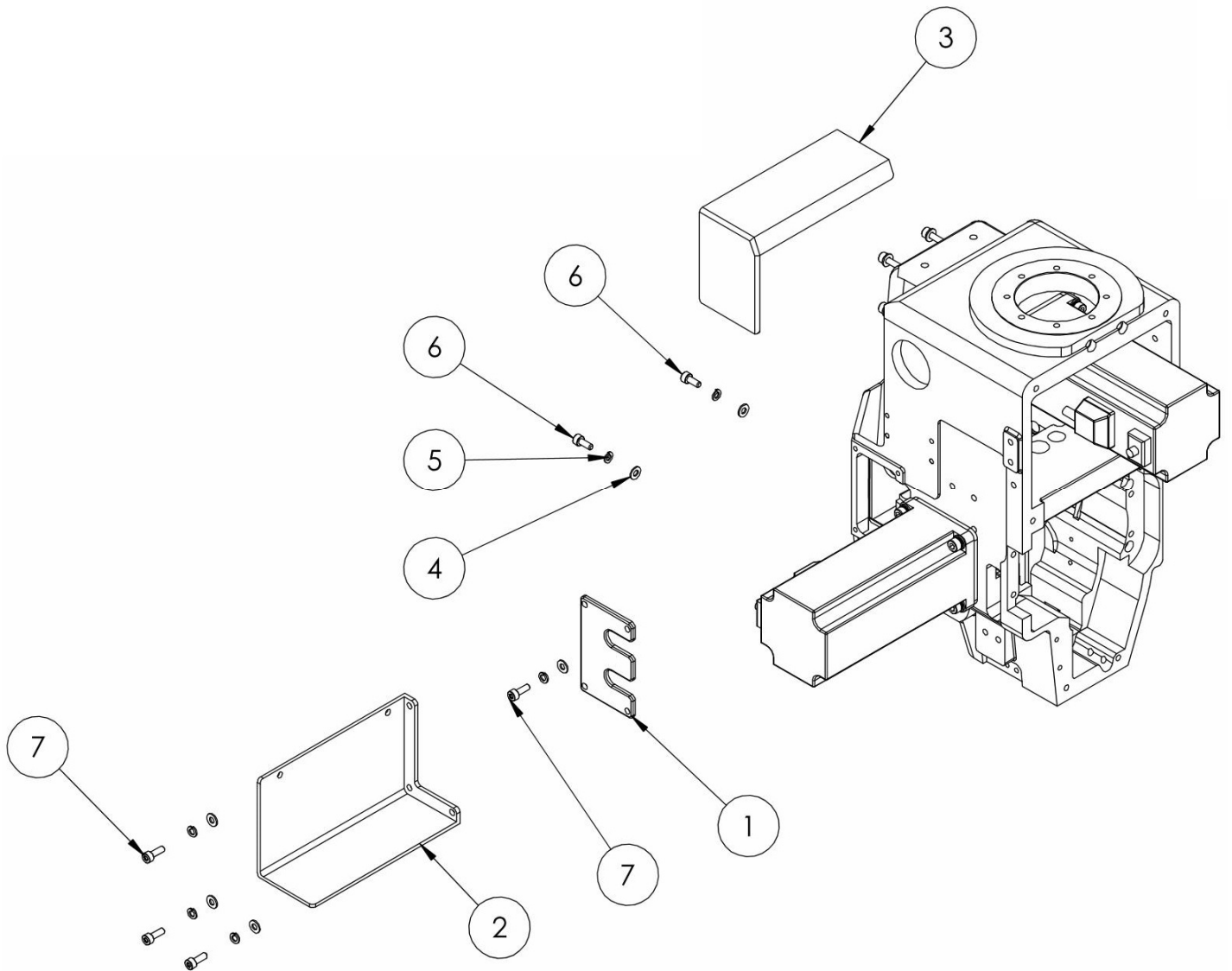
31. Barcode Scanner Assembly



31. Barcode Scanner Assembly

Number	Part Number	New #	Quantity	Notes
1		ZPT1311	1	
2		ZPT1308	1	
3		ZHD1082	3	
4		ZHD1081	3	
5		ZPT1220	1	
6		ZHD1044	2	
7		HDW1079	2	
8		HDW1083	2	
9		ZHD1025	2	
10		ZHD1022	2	
11		ZPT1302	1	
12		ELE1004	1	

32. Wire Guide Assembly



32. Wire Guide Assembly

Number	Part Number	New #	Quantity	Notes
1		ZPT1314	1	
2		ZPT1315	1	
3		ZPT1316	1	
4		ZHD1024	6	
5		ZHD1021	6	
6		ZHD1049	2	
7		ZHD1053	4	