

# ED-3339-2C

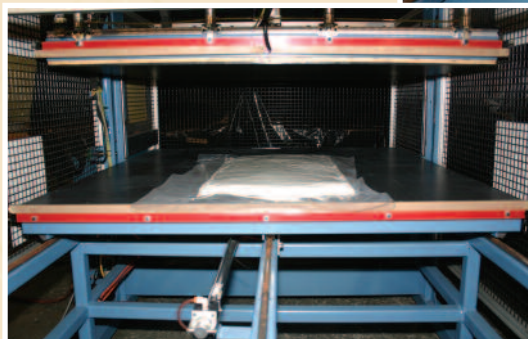
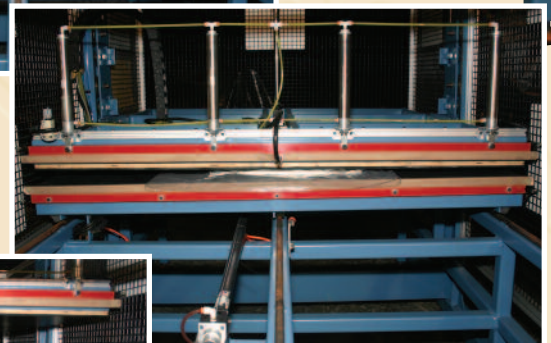
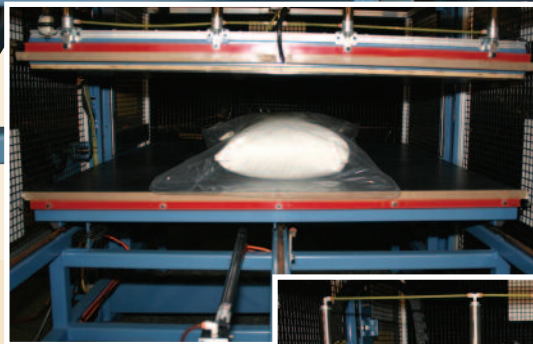
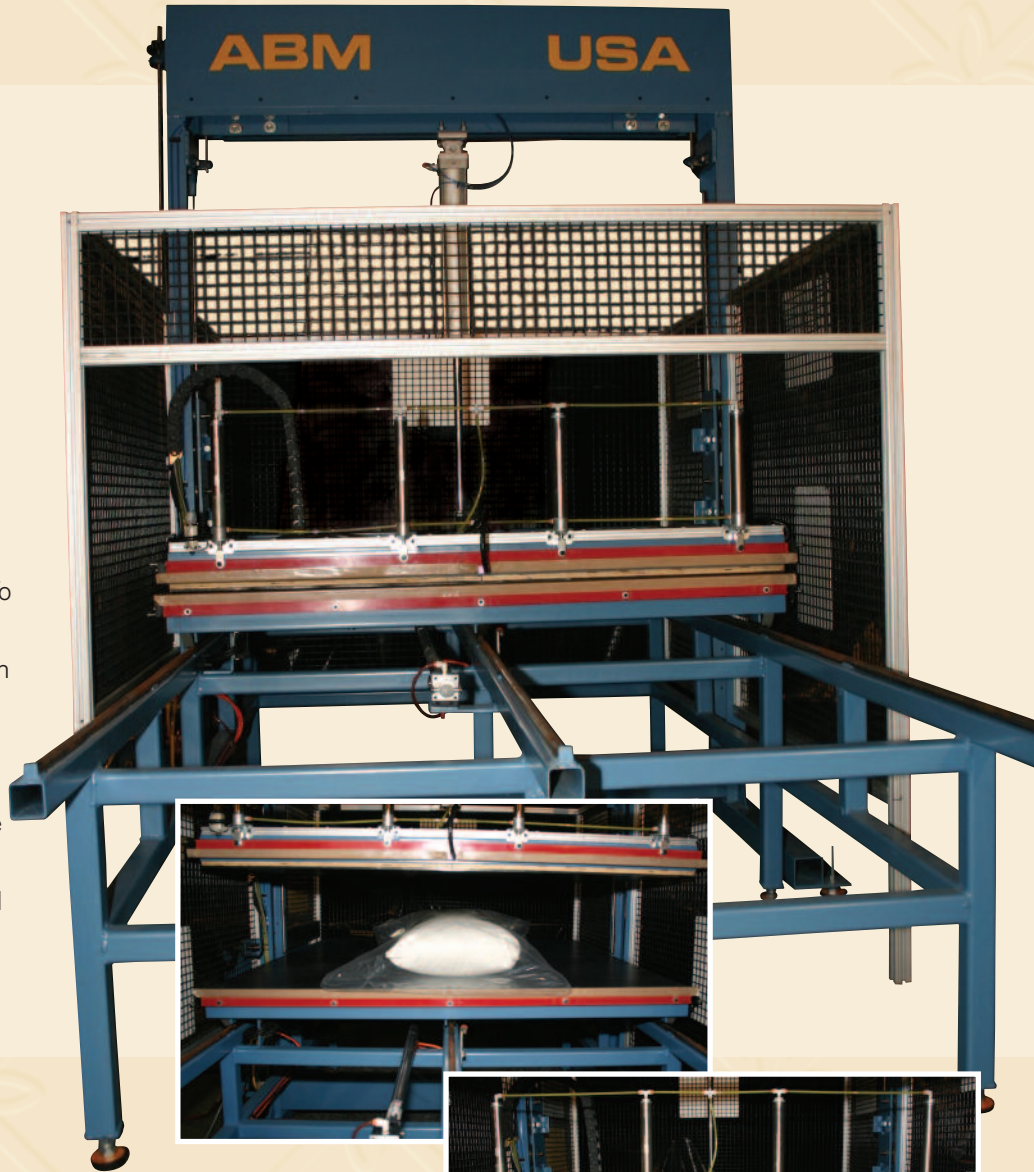
## COMPRESSION HEAT SEALING PACKAGING MACHINE



SINCE 1947

### OVERVIEW:

ABM International, Inc. has spent many years perfecting compression, packaging and heat sealing machines for various products. The ED-3339-2C can accommodate many different size products including dog beds, pillows, mattresses, comforters, bedspreads and many other compressible products. This extremely rigid design incorporates a fully adjustable ram, optional indexing table and electronic adjustable thermostat with timing controls. To operate, place the product inside a polybag, then place the polybag onto the compression table and press the start button. After the product is compressed to the desired thickness, the machine heat seals the bag closed and retruns the sealed product to the operator. This machine is extremely beneficial to those manufacturers that would like to increase the volume of products in container shipments.



### FEATURES & BENEFITS:

- ▶ Any desired width and length is available.
- ▶ Adjustable stroke ram
- ▶ Easily adjustable electronic thermostat
- ▶ Adjustable electronic timer
- ▶ High-cycle cooling systems

## QUALITY

- ▶ ABM International, Inc. is a vertically integrated manufacturer with in-house design, programming, welding / fabricating, machining and assembly.
- ▶ With over 55 years of experience in manufacturing packaging machines, our highly trained expert staff consistently delivers the quality our customers deserve.

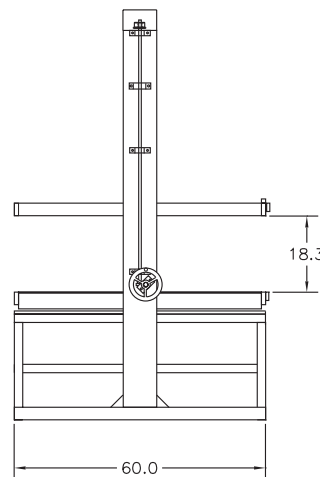
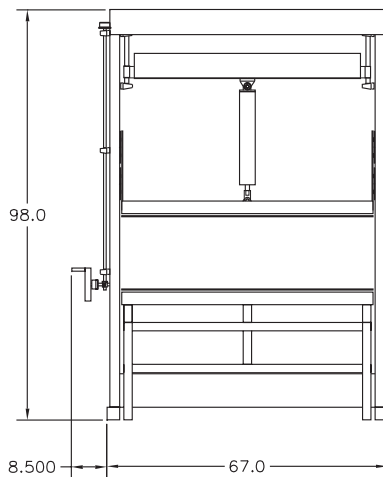


## IN-HOUSE MACHINE DESIGN

- ▶ ABM's highly trained engineering design team anxiously awaits your projects.
- ▶ We are available 24 hours a day for customer service, so you can rest well at night!

## TECHNICAL DATA

- ▶ Maximum product height 17.5" standard
- ▶ Standard width 6"-60"
- ▶ Cycle time as low as 6 seconds
- ▶ 50/60 cycle, 30 amps
- ▶ Machine weight 1350 lbs.



## ABM INTERNATIONAL, INC.

18209 Chisholm Trail, Suite #110  
Houston, Texas 77060  
Telephone: (281) 443-4440 Fax: (281) 443-4404  
[www.abminternational.com](http://www.abminternational.com)



ABM International, Inc., headquartered in Texas, has been serving the home furnishing market of the textile industry for over 55 years.

At ABM International, Inc. we are committed to manufacturing excellence and superior customer service. Let us provide you with the highest quality state-of-the-art machinery that will enhance your operations, improve your production, reduce your costs—and ensure your success!